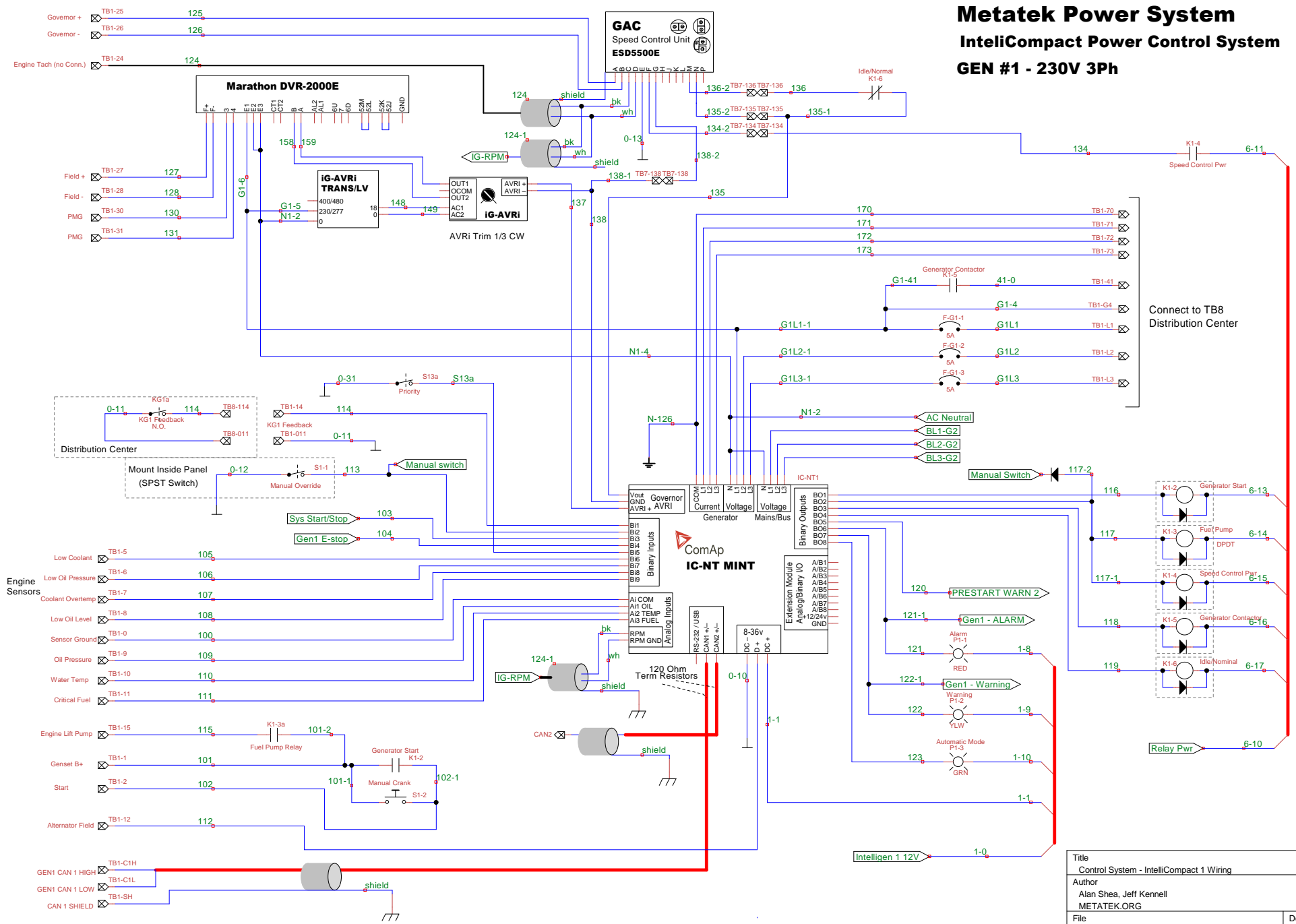


Metatek Power System

IntelliCompact Power Control System

GEN #1 - 230V 3Ph

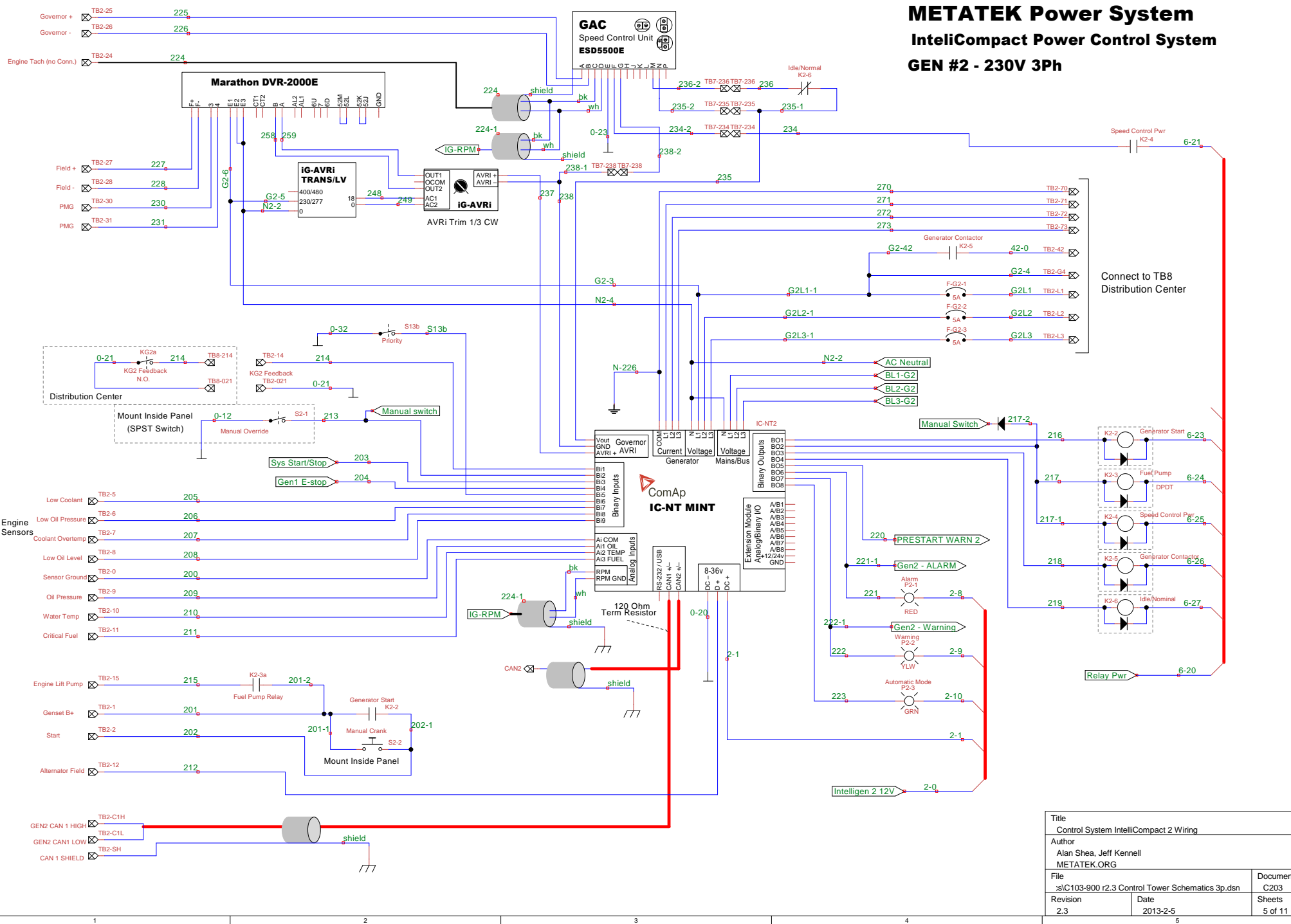


Title Control System - IntelliCompact 1 Wiring		
Author Alan Shea, Jeff Kennell METATEK.ORG		
File s:\C103-900 r2.3 Control Tower Schematics 3p.dsn	Document C103	
Revision 2.3	Date 2013-2-5	Sheets 4 of 11

METATEK Power System

IntelliCompact Power Control System

GEN #2 - 230V 3PH

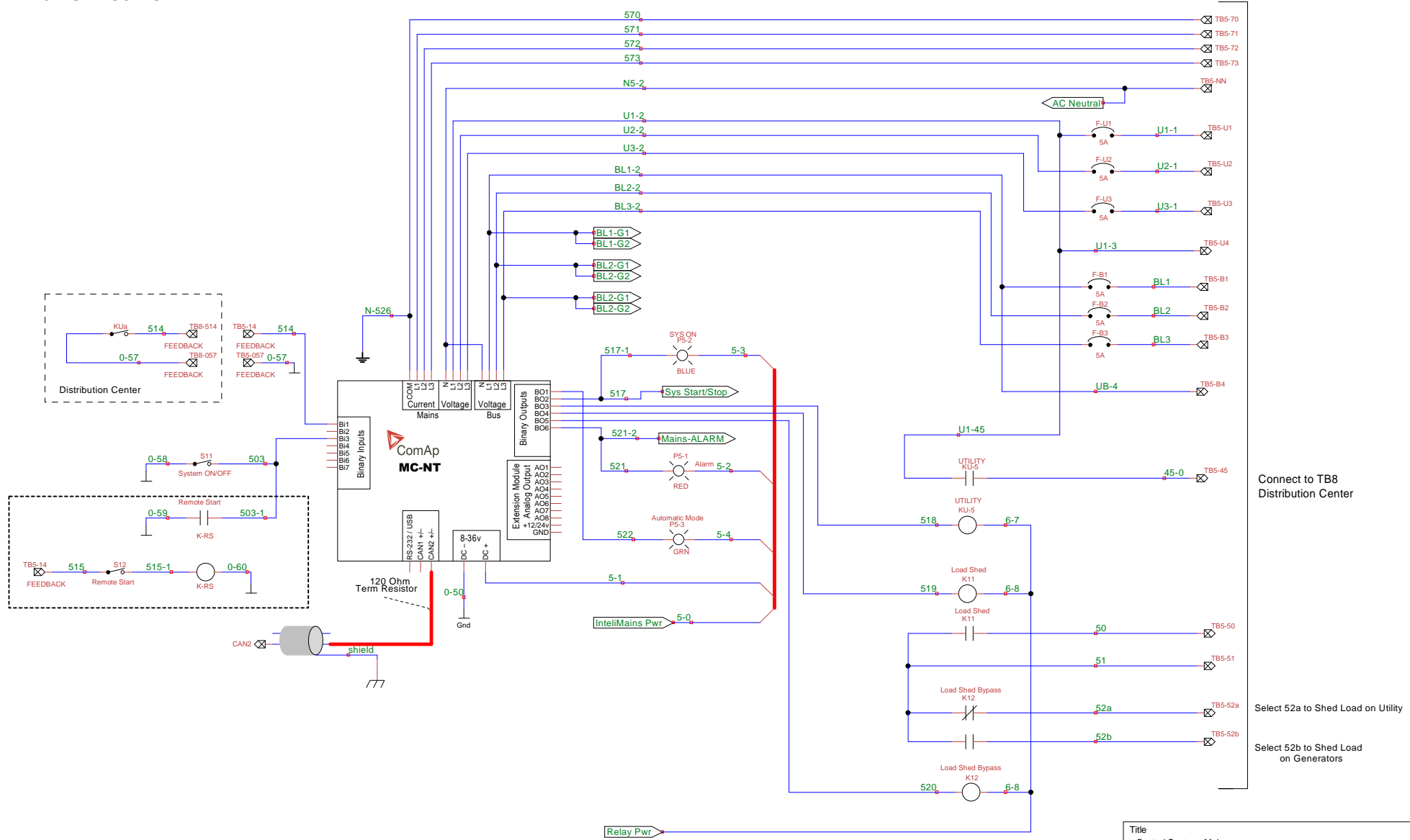


Title Control System IntelliCompact 2 Wiring		
Author Alan Shea, Jeff Kennell METATEK.ORG		
File s:\C103-900 r2.3 Control Tower Schematics 3p.dsn	Document C203	
Revision 2.3	Date 2013-2-5	Sheets 5 of 11

Metatek Power System

MainsCompact Power Control System

Mains - 230V 3Ph



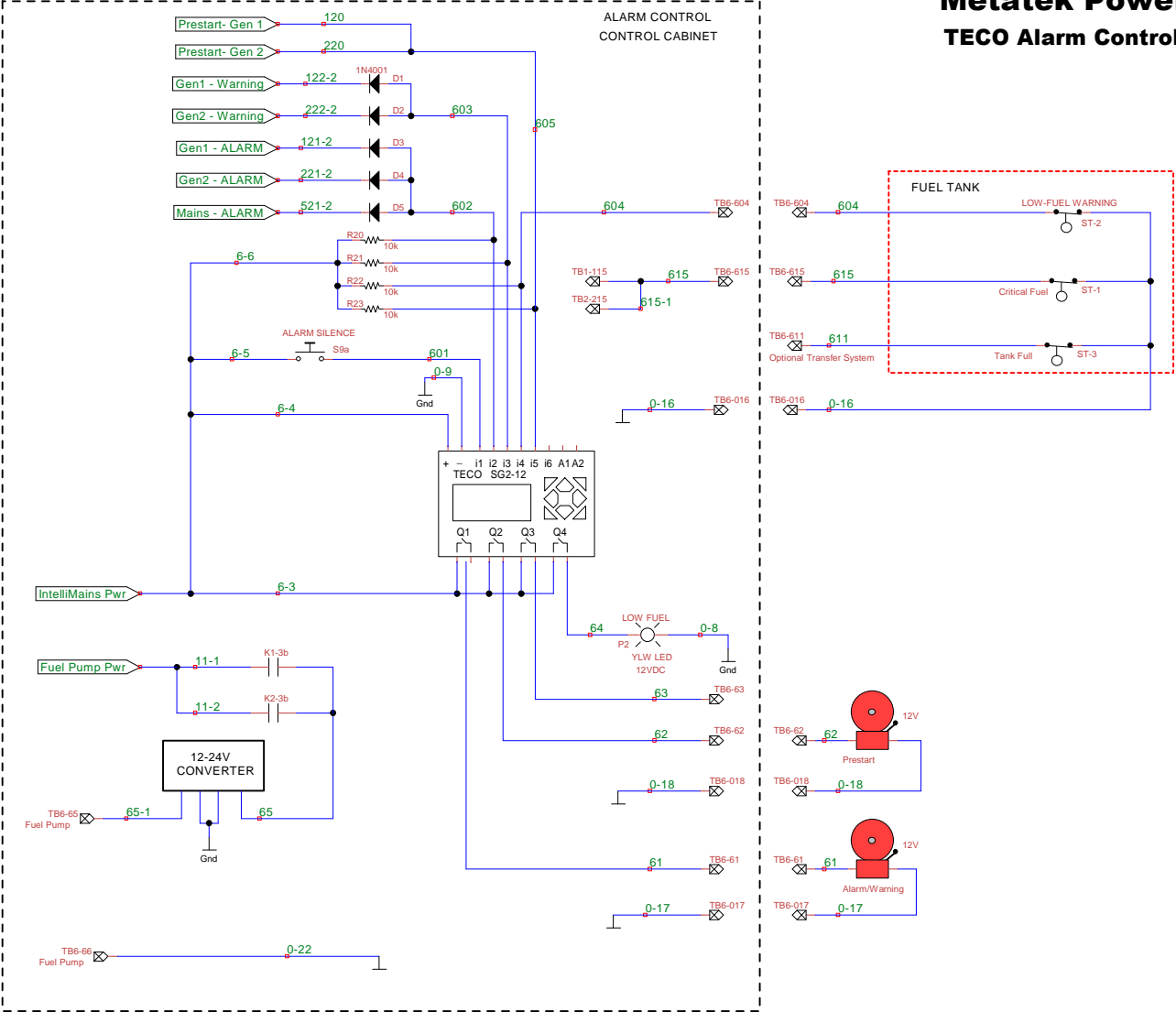
Connect to TB8 Distribution Center

Select 52a to Shed Load on Utility
Select 52b to Shed Load on Generators

Title Control System-Mains		
Author Alan Shea, Jeff Kennell METATEK.ORG		
File :s\C103-900 r2.3 Control Tower Schematics 3p.dsn	Document C303	
Revision 2.3	Date 2013-2-5	Sheets 6 of 11

Metatek Power System

TECO Alarm Control System

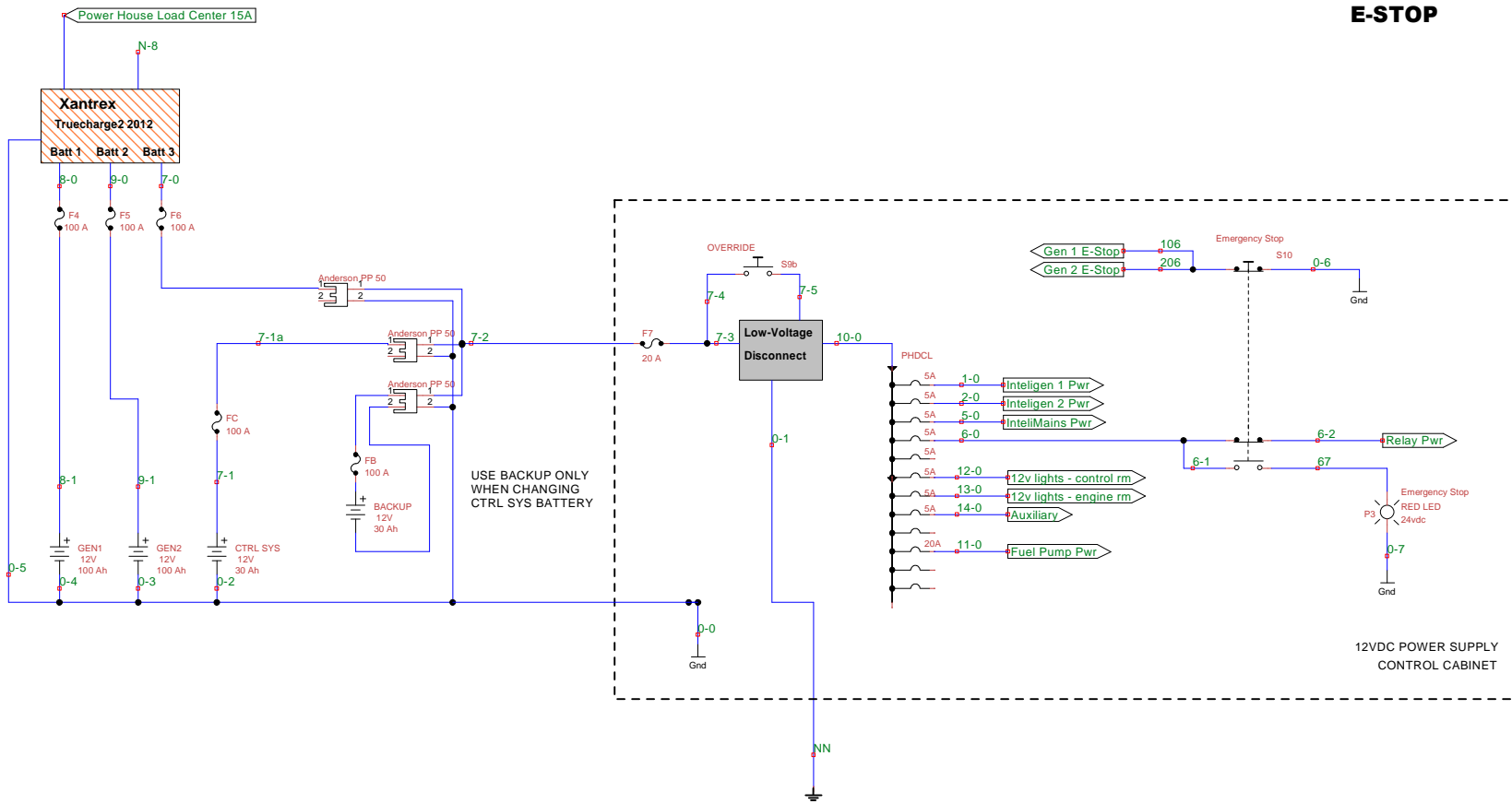


Title		
Control System- Alarm Control		
Author		
Alan Shea, Jeff Kennell		
METATEK.ORG		
File	Document	
:s\C103-900 r2.3 Control Tower Schematics 3p.dsn	C600	
Revision	Date	Sheets
2.1	2011-12-20	7 of 11

Metatek Power System

12V Power Distribution

E-STOP



Title		
Control System- 12V Power Network		
Author		
Alan Shea, Jeff Kennell		
METATEK.ORG		
File	Document	
:s\C103-900 r2.3 Control Tower Schematics 3p.dsn	C900	
Revision	Date	Sheets
2.3	2013-2-5	8 of 11