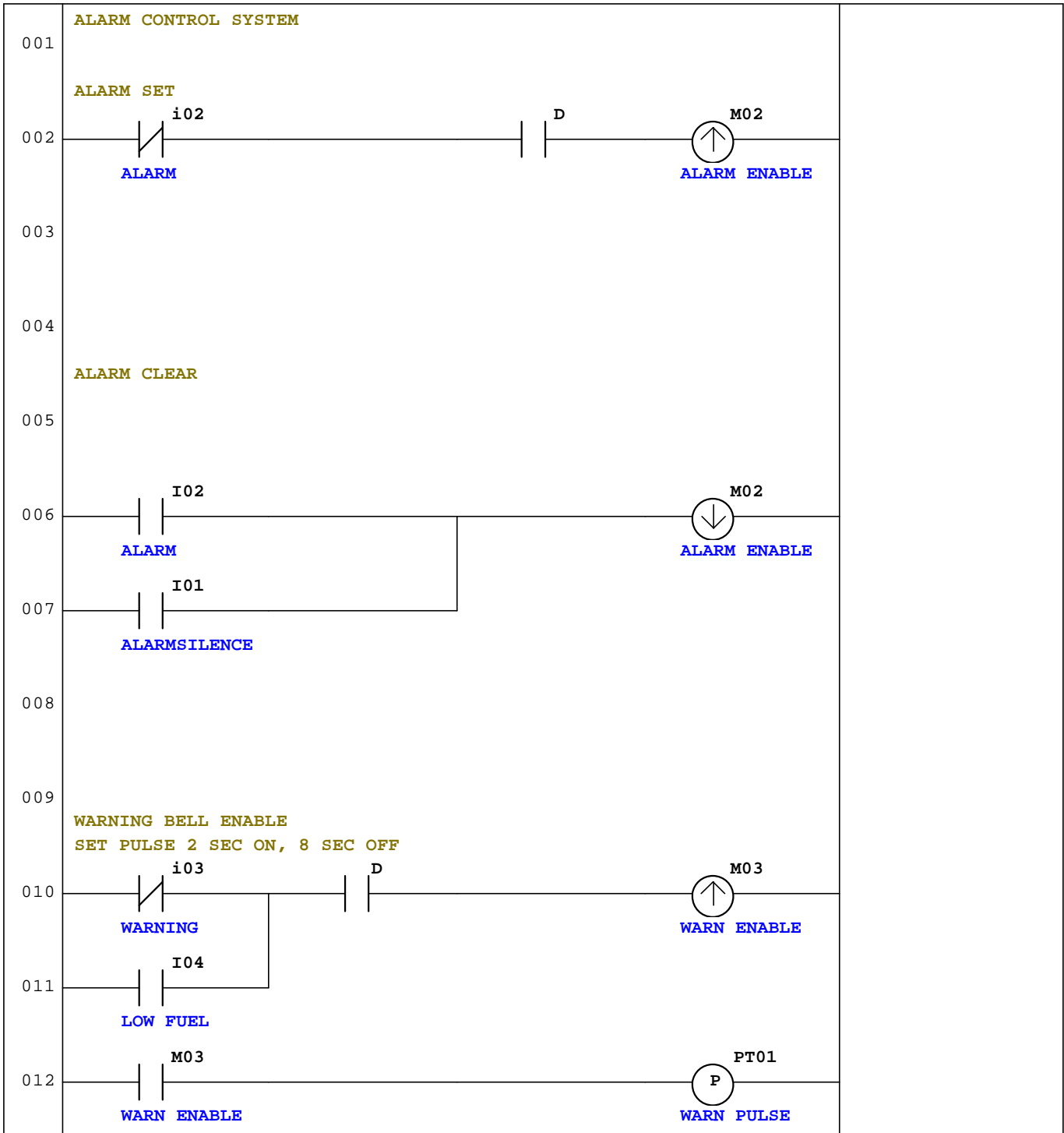


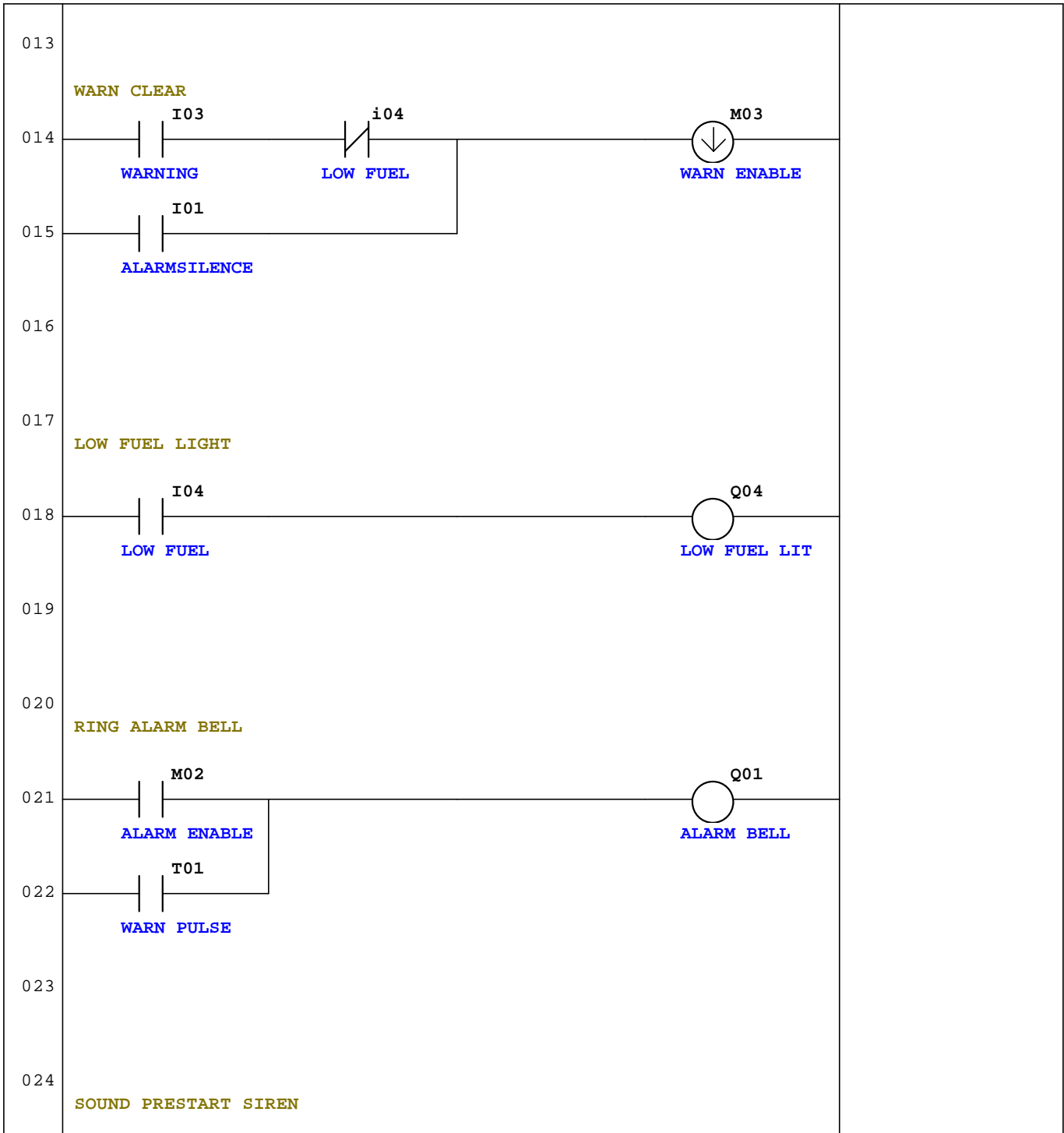
Title		Version
Company name		Date
Programer		Page 1/7
Remark		

Line Program



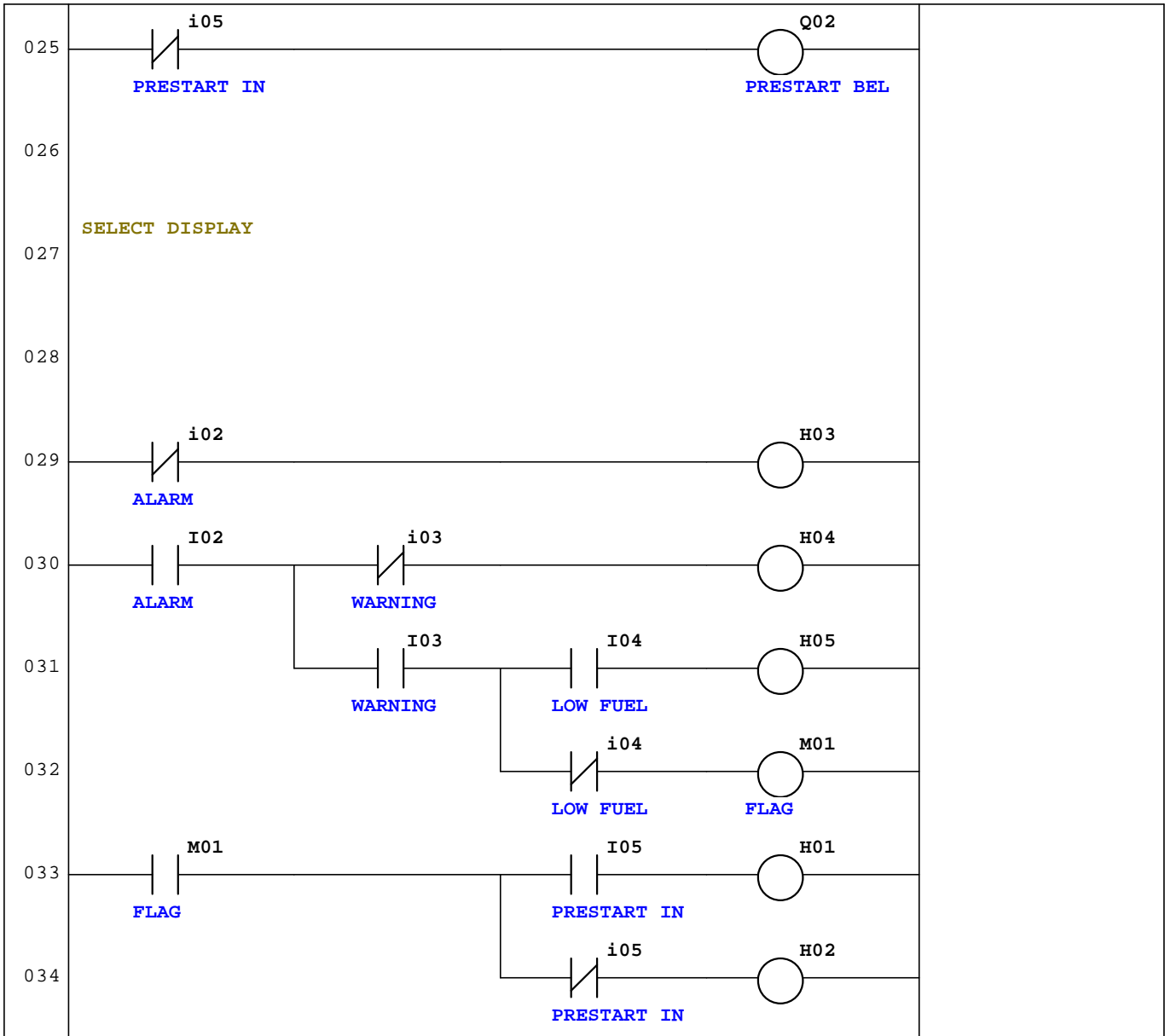
Title		Version
Company name		Date
Programer		Page 2/7
Remark		

Line Program



Title		Version
Company name		Date
Programer		Page 3/7
Remark		

Line Program



Title		Version
Company name		Date
Programer		Page 4/7
Remark		

**FUN. BLOCK**

Function	Label	Mode	Preset Value	Used
Clock			TH 23:02 11.12.29	
Timer	T1	7:Flash timer mode 3	0002 sec Reset:T02	Yes
	T2	7:Flash timer mode 3	0008 sec Reset:T02	Yes
	T3	1:On-delay timer mode	00.00 sec	No
	T4	1:On-delay timer mode	00.00 sec	No
	T5	1:On-delay timer mode	00.00 sec	No
	T6	1:On-delay timer mode	00.00 sec	No
	T7	1:On-delay timer mode	00.00 sec	No
	T8	1:On-delay timer mode	00.00 sec	No
	T9	1:On-delay timer mode	00.00 sec	No
	TA	1:On-delay timer mode	00.00 sec	No
	TB	1:On-delay timer mode	00.00 sec	No
	TC	1:On-delay timer mode	00.00 sec	No
	TD	1:On-delay timer mode	00.00 sec	No
	TE	1:On-delay timer mode	00.00 sec	No
	TF	1:On-delay timer mode	00.00 sec	No
	Counter	C1	1:Counter without overtaking	000000 Dir:Low,Reset:Low
C2		1:Counter without overtaking	000000 Dir:Low,Reset:Low	No
C3		1:Counter without overtaking	000000 Dir:Low,Reset:Low	No
C4		1:Counter without overtaking	000000 Dir:Low,Reset:Low	No
C5		1:Counter without overtaking	000000 Dir:Low,Reset:Low	No
C6		1:Counter without overtaking	000000 Dir:Low,Reset:Low	No
C7		1:Counter without overtaking	000000 Dir:Low,Reset:Low	No
C8		1:Counter without overtaking	000000 Dir:Low,Reset:Low	No
C9		1:Counter without overtaking	000000 Dir:Low,Reset:Low	No
CA		1:Counter without overtaking	000000 Dir:Low,Reset:Low	No
CB		1:Counter without overtaking	000000 Dir:Low,Reset:Low	No
CC		1:Counter without overtaking	000000 Dir:Low,Reset:Low	No
CD		1:Counter without overtaking	000000 Dir:Low,Reset:Low	No
CE		1:Counter without overtaking	000000 Dir:Low,Reset:Low	No
CF		1:Counter without overtaking	000000 Dir:Low,Reset:Low	No
RTC		R1	1:Every day action mode	SU-SU 00:00 00:00
	R2	1:Every day action mode	SU-SU 00:00 00:00	No
	R3	1:Every day action mode	SU-SU 00:00 00:00	No
	R4	1:Every day action mode	SU-SU 00:00 00:00	No
	R5	1:Every day action mode	SU-SU 00:00 00:00	No
	R6	1:Every day action mode	SU-SU 00:00 00:00	No
	R7	1:Every day action mode	SU-SU 00:00 00:00	No
	R8	1:Every day action mode	SU-SU 00:00 00:00	No
	R9	1:Every day action mode	SU-SU 00:00 00:00	No
	RA	1:Every day action mode	SU-SU 00:00 00:00	No
	RB	1:Every day action mode	SU-SU 00:00 00:00	No
	RC	1:Every day action mode	SU-SU 00:00 00:00	No
	RD	1:Every day action mode	SU-SU 00:00 00:00	No
	RE	1:Every day action mode	SU-SU 00:00 00:00	No
	RF	1:Every day action mode	SU-SU 00:00 00:00	No

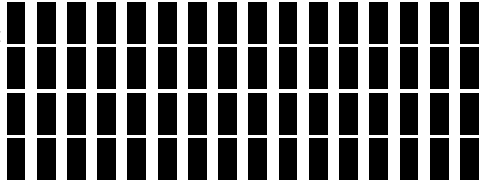
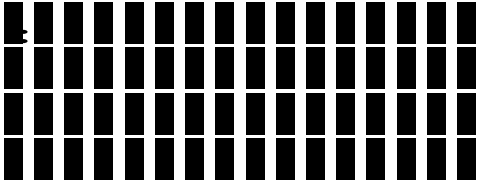
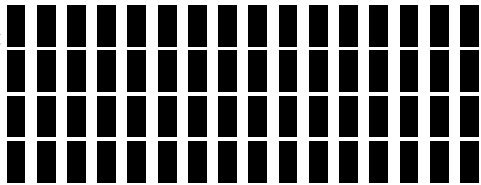
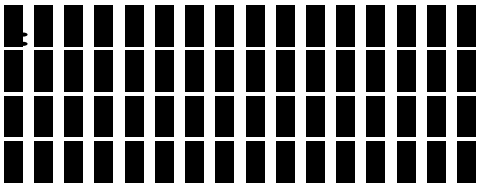
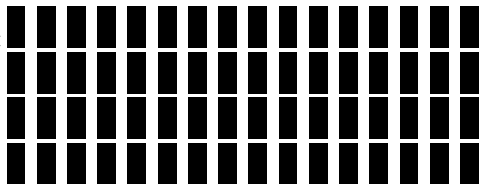
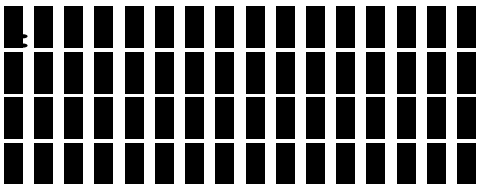
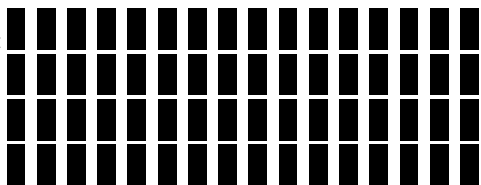
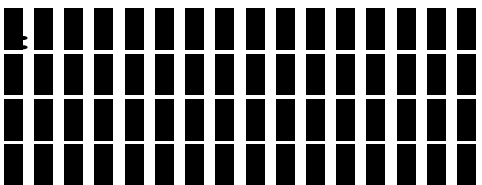
Title		Version
Company name		Date
Programer		Page 5/7
Remark		

**FUN. BLOCK**

Function	Label	Mode	Preset Value	Used
Analog	G1	1:(Ay-Ref.)<=Ax<=(Ay+Ref.)	00.00V Ax: A01 Ay: A02	No
	G2	1:(Ay-Ref.)<=Ax<=(Ay+Ref.)	00.00V Ax: A01 Ay: A02	No
	G3	1:(Ay-Ref.)<=Ax<=(Ay+Ref.)	00.00V Ax: A01 Ay: A02	No
	G4	1:(Ay-Ref.)<=Ax<=(Ay+Ref.)	00.00V Ax: A01 Ay: A02	No
	G5	1:(Ay-Ref.)<=Ax<=(Ay+Ref.)	00.00V Ax: A01 Ay: A02	No
	G6	1:(Ay-Ref.)<=Ax<=(Ay+Ref.)	00.00V Ax: A01 Ay: A02	No
	G7	1:(Ay-Ref.)<=Ax<=(Ay+Ref.)	00.00V Ax: A01 Ay: A02	No
	G8	1:(Ay-Ref.)<=Ax<=(Ay+Ref.)	00.00V Ax: A01 Ay: A02	No
	G9	1:(Ay-Ref.)<=Ax<=(Ay+Ref.)	00.00V Ax: A01 Ay: A02	No
	GA	1:(Ay-Ref.)<=Ax<=(Ay+Ref.)	00.00V Ax: A01 Ay: A02	No
	GB	1:(Ay-Ref.)<=Ax<=(Ay+Ref.)	00.00V Ax: A01 Ay: A02	No
	GC	1:(Ay-Ref.)<=Ax<=(Ay+Ref.)	00.00V Ax: A01 Ay: A02	No
	GD	1:(Ay-Ref.)<=Ax<=(Ay+Ref.)	00.00V Ax: A01 Ay: A02	No
	GE	1:(Ay-Ref.)<=Ax<=(Ay+Ref.)	00.00V Ax: A01 Ay: A02	No
	GF	1:(Ay-Ref.)<=Ax<=(Ay+Ref.)	00.00V Ax: A01 Ay: A02	No
	HMI/Text	H1	1:Display	
H2		1:Display		Yes
H3		1:Display		Yes
H4		1:Display		Yes
H5		1:Display		Yes
H6		1:Display		No
H7		2:No Display		No
H8		2:No Display		No
H9		2:No Display		No
HA		2:No Display		No
HB		2:No Display		No
HC		2:No Display		No
HD		2:No Display		No
HE		2:No Display		No
HF		2:No Display		No

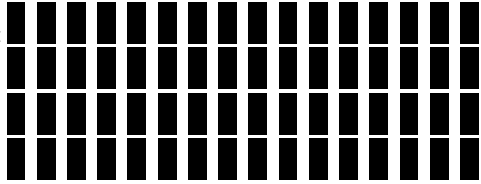
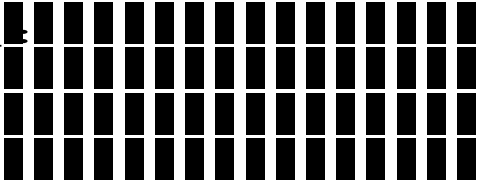
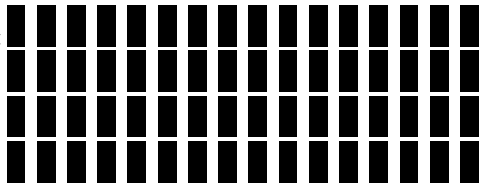
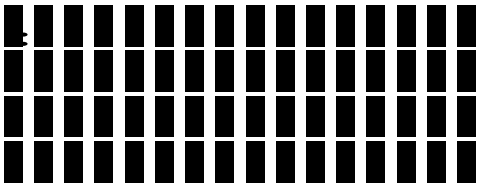
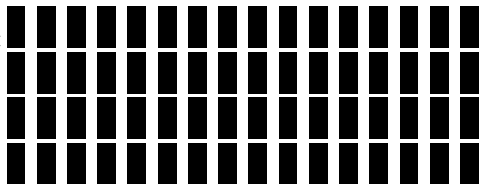
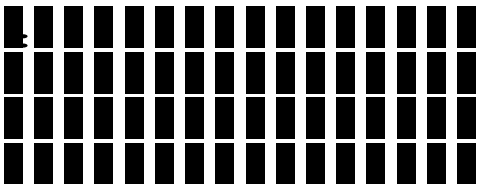
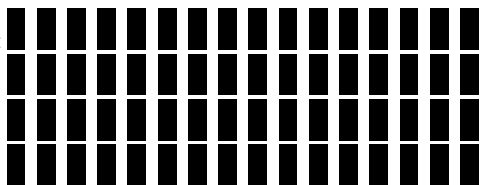
Title		Version
Company name		Date
Programer		Page 6/7
Remark		

Function: HMI/TEXT

HO 1 : 	HO 2 : 
HO 3 : 	HO 4 : 
HO 5 : 	HO 6 : 
HO 7 : 	HO 8 : 

Title		Version
Company name		Date
Programer		Page 7/7
Remark		

Function: HMI/TEXT

HO 9 : 	HO A : 
HO B : 	HO C : 
HO D : 	HO E : 
HO F : 	H1 O : 