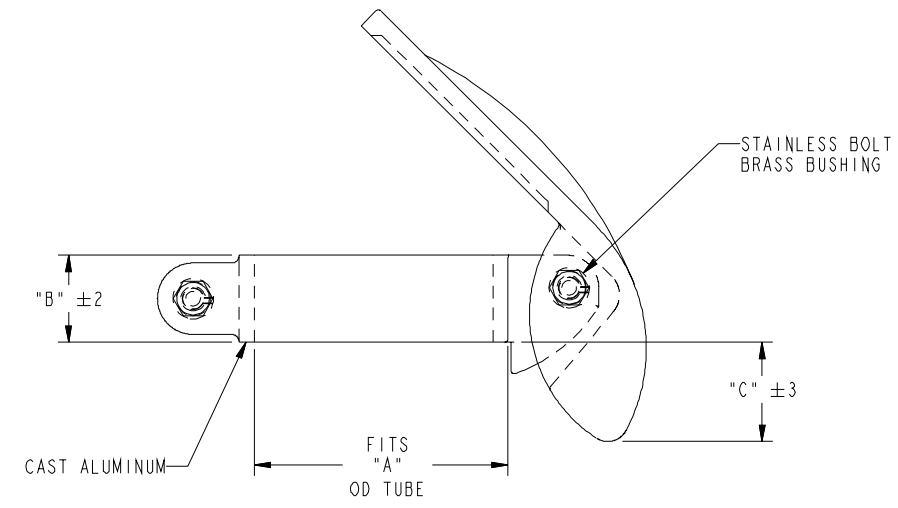


REL NO	LTR	NO	REVISION	ZONE	DWN	CKD	APVD	DATE
FRD26841	T	1	REDRAWN W/FOLLOWING CHANGES	-	DAH	RC	RC	02-21-06
		2	ADD -14 AND -64	ABC	DAH	RC	RC	11-08-05

- NOTE:
- FIRST SUPPLIER PROCURED FROM:
INDUSTRIAL RAIN CAP
BOX 302
CEDER FALLS, IOWA 50603
 - PARTS WITH VENDOR NUMBERS "BW" DESIGNATION
HAVE BRASS WASHERS TO MINIMIZE LATERAL RAIN
CAP VIBRATION AND NOISE.

FOR ACCESSORIES USE -01 THRU -49
FOR PRODUCTION USE -51 THRU -99

TABULATION						
DWG NO.	MATERIAL	DIM "A"	DIM "B"	DIM "C"	VENDOR NO.	FRD NO.
0155_2062_01	0155_2062_51	-	-	-	-	FRD26841
0155_2062_02	0155_2062_52	-	-	-	-	FRD26841
0155_2062_03	0155_2062_53	-	-	-	-	FRD26841
0155_2062_04	0155_2062_54	-	-	-	-	FRD26841
0155_2062_05	0155_2062_55	-	-	-	-	FRD26841
0155_2062_06	0155_2062_56	-	-	-	-	FRD26841
0155_2062_07	0155_2062_57	-	-	-	-	FRD26841
0155_2062_08	0155_2062_58	-	-	-	-	FRD26841
0155_2062_09	0155_2062_59	-	-	-	-	FRD26841
0155_2062_10	0155_2062_60	-	-	-	-	FRD26841
0155_2062_11	0155_2062_61	-	-	-	-	FRD26841
0155_2062_12	0155_2062_62	-	-	-	-	FRD26841
0155_2062_13	0155_2062_63	-	-	-	-	FRD26841
0155_2062_14	0155_2062_64	-	-	-	-	FRD26841
0155_2062_51	AS PURCHASED	2.50	1.00	1.25	7	FRD26841
0155_2062_52	AS PURCHASED	3.50	1.00	1.44	11	FRD26841
0155_2062_53	AS PURCHASED	3.00	1.00	1.25	8	FRD26841
0155_2062_54	AS PURCHASED	4.50	1.00	1.56	14	FRD26841
0155_2062_55	AS PURCHASED	5.00	1.25	1.38	16	FRD26841
0155_2062_56	AS PURCHASED	6.00	1.25	1.50	21	FRD26841
0155_2062_57	AS PURCHASED	4.00	1.00	1.38	12	FRD26841
0155_2062_58	AS PURCHASED	2.25	1.00	1.25	2X	FRD26841
0155_2062_59	AS PURCHASED	2.63	1.00	1.25	7X	FRD26841
0155_2062_60	AS PURCHASED	3.13	1.00	1.25	9	FRD26841
0155_2062_61	AS PURCHASED	2.75	1.00	1.25	3BW	FRD26841
0155_2062_62	AS PURCHASED	2.00	1.00	.62	55	FRD26841
0155_2062_63	AS PURCHASED	5.13	1.00	1.50	17	FRD26841
0155_2062_64	AS PURCHASED	2.38	1.00	1.25		FRD26841



UNLESS OTHERWISE SPECIFIED, ALL DIMENSIONS ARE IN MILLIMETERS		DWT		ITEM	PART NO	DESCRIPTION OR MATERIAL
SIM TO		DWN		V BECKMAN		
DO NOT SCALE PRINT		CKD		D YOUNG		
DATE 12-28-93		APVD		D GILLET		
SITE CODE		DWN		V BECKMAN		
FOR INTERPRETATION OF DIMENSIONS AND TOLERANCING, SEE ASME Y14.5M-1994		DATE		12-28-93		
PROPERTY OF CUMMINS POWER GENERATION GROUP		FIRST USED ON		PGF		
ANG TOL: ± 1.0°		SCALE: 1/1		DWT		D
SHEET 1 OF 1		REV 1		DWT		D
CUMMINS POWER GENERATION 1400 73RD AVENUE NE, MINNEAPOLIS, MN 55432		CAP-RAIN		DWT		D
0155_2062		PGF		DWT		D

Pro/ENGINEER