

22MM PILOT DEVICES



Starting from **\$6**



The WEG CSW Series 22mm pushbuttons, selector switches, and indicators have been designed to offer the ruggedness required for severe industrial applications and environments while keeping the price to a minimum.

CSW Series 22mm Operators

- 12 operator types available, including illuminated and non-illuminated pushbuttons, mushrooms, and selector switches
- NEMA 4X, IP66 rated
- Heavy Duty glass-filled polymer construction
- Solar protection impregnated in material (non-illuminated models)

Contact Blocks



- Snap-on flange designed for fast easy assembly without sacrificing strength and durability
- Contact blocks can be mounted and removed individually
- Four switching points with double removable bridge
- Self-cleaning silver (Ag100) contacts for maximum reliability, even at low energy levels (5mA/12V)
- N.C. (normally closed) contacts incorporate "Positive Break" system that ensures circuit interruption.

LED Lamp Blocks



- Super-bright LEDs at industries lowest price
- 5 colors available
- Long life expectancy
- Great performance in shock and vibration applications
- Extremely low power consumption
- High luminosity and color definition

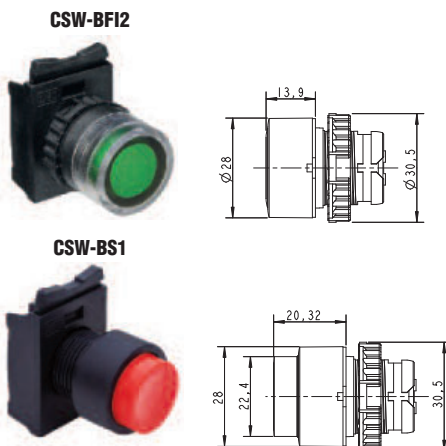
The CSW Series Pilot Devices are sold as individual components allowing for countless combinations that best fit your application. In order to build a complete pilot device assembly:

1. Select an operator device
2. Select a contact block
3. Select a lamp block (if required)
4. Select any needed accessories

22mm Pushbuttons

Non-illuminated and Illuminated

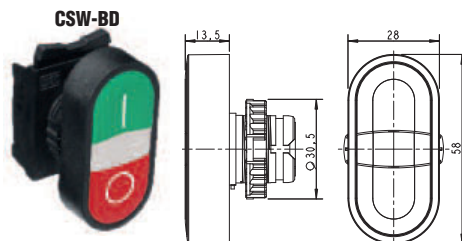
- 22mm Flush Momentary Operators
- NEMA 4X, IP66 Rated
- Snap on Flange for a Fast Installation and Removal
- Includes 3-position mounting flange and locking ring
- Non-illuminated accommodates up to 3 contact blocks (sold separately)
- Illuminated accommodates up to 2 contact blocks + 1 lamp block (sold separately)



Part Number	Description	Color	Price
CSW-BF1	Non-illuminated Flush	Red	\$3.50
CSW-BF2		Green	\$3.50
CSW-BF3		Yellow	\$3.50
CSW-BF4		Blue	\$3.50
CSW-BF5		Black	\$3.50
CSW-BS1	Non-illuminated Extended	Red	\$4.50
CSW-BS2		Green	\$4.50
CSW-BF10	Illuminated Flush	White	\$5.50
CSW-BF11		Red	\$5.50
CSW-BF12		Green	\$5.50
CSW-BF13		Yellow	\$5.50
CSW-BF14	Blue	\$5.50	
CSW-BS10	Illuminated Extended	White	\$5.50
CSW-BS11		Red	\$5.50
CSW-BS12		Green	\$5.50
CSW-BS13		Yellow	\$5.50
CSW-BS14	Blue	\$5.50	

Double Pushbutton

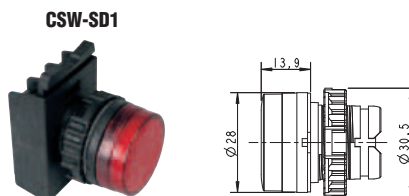
- Double Pushbutton Momentary Operator with center illumination lens
- NEMA 1, IP40 Rated, (NEMA 4X/IP66 when used with APBD protection cover)
- Snap on Flange for a Fast Installation and Removal
- Includes 3-position mounting flange and locking ring
- Accommodates up to 2 contact blocks + 1 lamp block (sold separately)



Part Number	Description	Color	Price
CSW-BD	Double Pushbutton	Red/Green	\$7.50
CSW-APBD	"BD" Protective Cover, achieves NEMA 4x/IP66	Clear	\$7.50

Indicator Lights

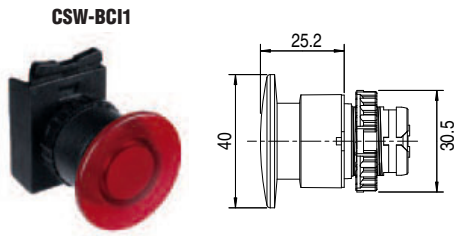
- 22mm Indicators
- NEMA 4X, IP66 Rated
- Snap on Flange for a Fast Installation and Removal
- Includes mounting flange and locking ring
- Accommodates 1 lamp block (sold separately)



Part Number	Color	Price
CSW-SD0	White	\$4.50
CSW-SD1	Red	\$4.50
CSW-SD2	Green	\$4.50
CSW-SD3	Yellow	\$4.50
CSW-SD4	Blue	\$4.50

Mushroom Pushbuttons

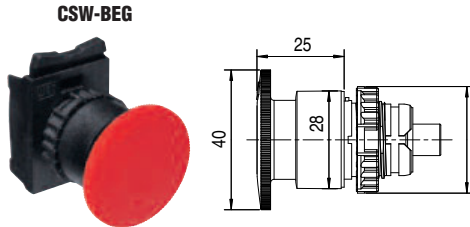
- 40mm Mushroom Momentary Operators
- NEMA 4X, IP66 Rated
- Snap on Flange for a Fast Installation and Removal
- Includes 3-position mounting flange and locking ring
- Non-illuminated accommodates up to 3 contact blocks (sold separately)
- Illuminated accommodates up to 2 contact blocks plus 1 lamp block (sold separately)



Part Number	Description	Color	Price
CSW-BC1	Non-illuminated	Red	\$6
CSW-BC2		Green	\$6
CSW-BC10	Illuminated	White	\$5
CSW-BC11		Red	\$5
CSW-BC12		Green	\$5
CSW-BC13		Yellow	\$5
CSW-BC14		Blue	\$5

Emergency Stop Pushbuttons

- 40mm Emergency Stop Latching Operators
- NEMA 4X, IP66 Rated
- Snap on Flange for a Fast Installation and Removal
- Includes 3-position mounting flange and locking ring
- Accommodates up to 3 contact blocks (sold separately)

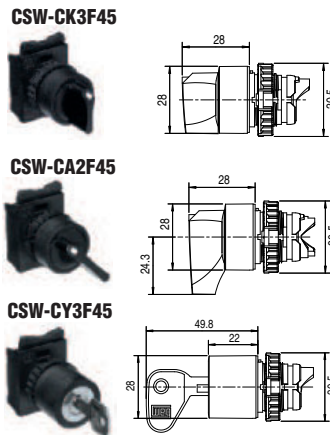


Part Number	Description	Color	Price
CSW-BEG	Twist-to-Release	Red	\$7.50
CSW-BEY	Key Release	Red	\$23

Accessory		
APEG	E-stop Protective Shroud	\$6

Selector Switches

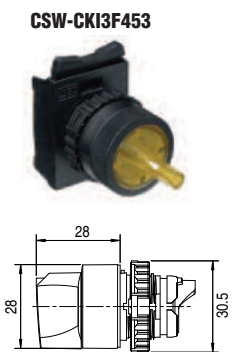
- 22mm 2-position and 3-position Selector Switches with knob, lever, or keyed operator
- NEMA 4X, IP66 Rated
- Includes 3-position mounting flange and locking ring
- Non-illuminated accommodates up to 2 contact blocks (sold separately)



Knob Operator	Price	Lever Operator	Price	Keyed Operator	Price	Description
CSW-CK2F45	\$7.50	CSW-CA2F45	\$7.50	CSW-CY2F45	\$22	2-position, 45° maintained
CSW-CK2F90	\$7.50	CSW-CA2F90	\$7.50	-	-	2-position, 90° maintained
CSW-CK2R45	\$8.00	CSW-CA2R45	\$9	CSW-CY2R45	\$24	2-position, 45° spring return to center
CSW-CK2R90	\$8.00	CSW-CA2R90	\$9	-	-	2-position, 90° spring return to center
CSW-CK3F45	\$7.50	CSW-CA3F45	\$8	CSW-CY3F45	\$22	3-position, maintained
CSW-CK3R45	\$8.00	CSW-CA3R45	\$9	CSW-CY3R45	\$24	3-position, left/right spring return to center
CSW-CK3RD45	\$8.00	CSW-CA3RD45	\$9	CSW-CY3RD45	\$24	3-position, right spring return to center
CSW-CK3RE45	\$8.00	CSW-CA3RE45	\$9	-	-	3-position, left spring return to center

Illuminated Selector Switches

- 22mm 2-position and 3-position Selector Switches with knob, lever, or keyed operator
- NEMA 4X, IP66 Rated
- Includes 3-position mounting flange and locking ring
- Illuminated accommodates up to 2 contact blocks plus 1 lamp block (sold separately)



Operator Color	2-position, 90° Maintained	Price	3-position Maintained	Price
White	CSW-CKI2F900		CSW-CKI3F450	\$5.50
Red	CSW-CKI2F901		CSW-CKI3F451	\$5.50
Green	CSW-CKI2F902		CSW-CKI3F452	\$5.50
Yellow	CSW-CKI2F903		CSW-CKI3F453	\$5.50
Blue	CSW-CKI2F904		CSW-CKI3F454	\$5.50

Operator Color	3-position L/R Spring Return	Price
White	CSW-CKI3R450	\$6
Red	CSW-CKI3R451	\$6
Green	CSW-CKI3R452	\$6
Yellow	CSW-CKI3R453	\$6
Blue	CSW-CKI3R454	\$6

Contact Blocks

- Contact blocks can be mounted/removed individually
- Four switching points with double removable bridge
- Self-cleaning silver (Ag100) contacts for maximum reliability, even at low energy levels (5mA/12V)



Part Number	Description	Price
BC01-CSW	Single Contact Block, 1 N.C.	\$2.50
BC10-CSW	Single Contact Block, 1 N.O.	\$2.50
BC11-CSW	Double Contact Block, 1 N.O. + 1 N.C.	\$4.50
BC20-CSW	Double Contact Block, 2 N.O.	\$4.50
BCA10-CSW	Single Contact Block, 1 N.O. (Early Make)	\$3.00
BCR01-CSW	Single Contact Block, 1 N.C. (Delayed Break)	\$3.00
CSW-BR-3P	Push-ON / Push-OFF adapter (use with BCA10 or BC01 contact blocks, only)	\$4.50



FREE Ground Shipping!*
for online orders over \$500



Incandescent Lamps/Lamp Blocks

CSW-BID



CSW-L130VI



CSW-BIRD



Part Number	Description	Price
CSW-BID	Incandescent Lamp Block, Full Voltage, lamp not included	\$2.50
CSW-BIRDD66	Incandescent Lamp Block, 220VAC, Diode/Resistor, 130V lamp included	\$13
CSW-L6VI	Incandescent Bulb, 6V AC/DC	\$5
CSW-L12VI	Incandescent Bulb, 12V AC/DC	\$2
CSW-L24VI	Incandescent Bulb, 24V AC/DC	\$2
CSW-L48VI	Incandescent Bulb, 48V AC/DC	\$5
CSW-L130VI	Incandescent Bulb, 130V AC/DC	\$2
CSW-L220VI	NEON Bulb, 220V AC/DC	\$5

LED Lamp Blocks (lamp included)

Part Number	Input	Color	Price
CSW-BIDL0E25	12V AC/DC	White	\$7.50
CSW-BIDL1E25		Red	\$7.50
CSW-BIDL2E25		Green	\$7.50
CSW-BIDL3E25		Yellow	\$7.50
CSW-BIDL4E25	Blue	\$7.50	
CSW-BIDL0E26	24V AC/DC	White	\$8
CSW-BIDL1E26		Red	\$8
CSW-BIDL2E26		Green	\$8
CSW-BIDL3E26		Yellow	\$8
CSW-BIDL4E26	Blue	\$8	
CSW-BIDL0E27	48V AC/DC	White	\$7.50
CSW-BIDL1E27		Red	\$7.50
CSW-BIDL2E27		Green	\$7.50
CSW-BIDL3E27		Yellow	\$7.50
CSW-BIDL4E27	Blue	\$7.50	
CSW-BIDL0D61	110V AC	White	\$7.50
CSW-BIDL1D61		Red	\$7.50
CSW-BIDL2D61		Green	\$7.50
CSW-BIDL3D61		Yellow	\$7.50
CSW-BIDL4D61	Blue	\$7.50	
CSW-BIDL0C13	125V DC	White	\$9
CSW-BIDL1C13		Red	\$9
CSW-BIDL2C13		Green	\$9
CSW-BIDL3C13		Yellow	\$9
CSW-BIDL4C13	Blue	\$9	
CSW-BIDL0D66	220V AC	White	\$7.50
CSW-BIDL1D66		Red	\$7.50
CSW-BIDL2D66		Green	\$7.50
CSW-BIDL3D66		Yellow	\$7.50
CSW-BIDL4D66	Blue	\$7.50	

Accessories

Part Number	Description	Price
ACEF	Lamp Extractor	\$3
AF3	3 Position Flange	\$1.50
AF5	5-Position Flange	\$2.25
ALSD0	Lens for Pilot Lights, Clear	\$3
ALSD1	Lens for Pilot Lights, Red	\$3
ALSD2	Lens for Pilot Lights, Green	\$3
ALSD3	Lens for Pilot Lights, Yellow	\$3
ALSD4	Lens for Pilot Lights, Blue	\$3
APBF	Protective Cover for Flush Operator	\$4
APEG	E-stop Protective Shroud	\$6
APN	Blank ID plate	\$0.50
AR30	30mm to 22mm adapter	\$2
ATR	Hole Plug	\$3
CPAW	Mounting Wrench	\$14

CSW Series Legend Plates

APPT30



APE



Part Number	Description	Price
APP30	Blank red/black legend plate w/ holder	\$1.50
APP30T	Clear legend plate w/ holder	\$1.50
APP30-01	"Close"	\$2.00
APP30-02	"Down"	\$2.00
APP30-03	"Emergency Stop"	\$2.00
APP30-04	"Forward"	\$2.00
APP30-05	"Jog"	\$2.00
APP30-06	"Jog Forward"	\$2.00
APP30-07	"Jog Reverse"	\$2.00
APP30-08	"Lower"	\$2.00
APP30-09	"Off"	\$2.00
APP30-10	"On"	\$2.00
APP30-11	"Open"	\$2.00
APP30-12	"Power On"	\$2.00
APP30-13	"Raise"	\$2.00
APP30-14	"Reset"	\$2.00
APP30-15	"Reverse"	\$2.00
APP30-16	"Run"	\$2.00
APP30-17	"Start"	\$2.00
APP30-18	"Stop"	\$2.00
APP30-19	"Up"	\$2.00
APP30-20	"Forward Reverse"	\$2.00
APP30-21	"Hand Auto"	\$2.00
APP30-22	"Jog Run"	\$2.00
APP30-23	"Manual Auto"	\$2.00
APP30-24	"Off On"	\$2.00
APP30-25	"Open Close"	\$2.00
APP30-26	"Run Jog"	\$2.00
APP30-27	"Start Stop"	\$2.00
APP30-28	"Up Down"	\$2.00
APP30-29	"Auto Off Hand"	\$2.00
APP30-30	"For Off Rev"	\$2.00
APP30-31	"Hand Off Auto"	\$2.00
APP30-32	"Man Off Auto"	\$2.00
APP30-33	"Open Off Auto"	\$2.00
APP30-34	"Open Off Close"	\$2.00
APP30-35	"Up Off Down"	\$2.00
APP30-36	"ON / OFF"	\$2.00
APP30-37	"OPEN / CLOSE"	\$2.00
APP30-38	"UP / DOWN"	\$2.00
APE	"Emergency-Stop", 60mm dia., Yellow	\$4.00
AP30	Blank red/black (legend plate only)	\$0.75
AP30T	Clear legend plate (legend plate only)	\$0.75

22mm Potentiometer, 10kΩ

- NEMA 4X, IP66 Rated
- Includes scale legend plate
- Terminal strip provides for ease in wiring



Part Number	Description	Price
FM-POT6	22mm potentiometer, 10kΩ	\$34

General Specifications

Standards	IEC/EN 60947-5-1, VDE 0660, CENELEC EN50007, NFC63140, UL508, UL50
Rated Insulation Voltage	660VAC / 660VDC
Rated Impulse Voltage	2.5kV (IEC 60947-5-1)
Degree of Protection	NEMA1, 3R, 12, 4, 4X, IP66
Terminals	IP2X
Contact Ratings	
Rated Thermal Current	10A
AC-15	24V: 10A, 48V: 10A, 60V: 10A 110V: 6A, 230V: 3A, 400V: 2A 500V: 1.5A, 600V: 1.2A
	DC-13
Electrical Data - UL Ratings	
AC / Heavy Duty	A600
DC / Heavy Duty	Q600
Contact Resistance	m25 mh (IEC/EN 60255)
Ambient Temperature	-25° to 70°C (-13° to 158°F)
Shock Resistance	100g: no damage for all components. (MIL202 B)
Vibration Resistance	16g: 40-500Hz with 0.75mm pike-pike (IEC/EN 6068-2-6)
Mechanical Endurance	Pushbuttons: 3 million ops Selector switches: 1 million ops Emergency stop: 300k ops
Number of Conductors	Min: 1 x 20AWG Max: 2 x 12AWG
LEDs	
Operational Voltage	-15% to +10% nominal voltage
Current	20mA
Lifespan	100,000h

MONOLITHIC LEDs

- Super-bright LED illumination
- IP65 protection
- 22mm plastic body
- UL recognized
- CE approved
- Quantity discounts



FM P/N	Voltage	Color	Price
FMD16-DS12V-0	12V AC/DC	White	\$5
FMD16-DS12V-1	12V AC/DC	Red	\$5
FMD16-DS12V-2	12V AC/DC	Green	\$5
FMD16-DS12V-3	12V AC/DC	Yellow	\$5
FMD16-DS12V-4	12V AC/DC	Blue	\$5
FMD16-DS24V-0	24V AC/DC	White	\$5
FMD16-DS24V-1	24V AC/DC	Red	\$5
FMD16-DS24V-2	24V AC/DC	Green	\$5
FMD16-DS24V-3	24V AC/DC	Yellow	\$5
FMD16-DS24V-4	24V AC/DC	Blue	\$5
FMD16-DS110V-0	110V AC	White	\$5
FMD16-DS110V-1	110V AC	Red	\$5
FMD16-DS110V-2	110V AC	Green	\$5
FMD16-DS110V-3	110V AC	Yellow	\$5
FMD16-DS110V-4	110V AC	Blue	\$5
FMD16-DS220V-0	220V AC	White	\$5
FMD16-DS220V-1	220V AC	Red	\$5
FMD16-DS220V-2	220V AC	Green	\$5
FMD16-DS220V-3	220V AC	Yellow	\$5
FMD16-DS220V-4	220V AC	Blue	\$5



FREE Ground Shipping!
for online orders over \$500

