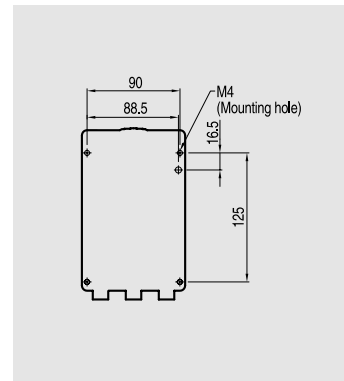
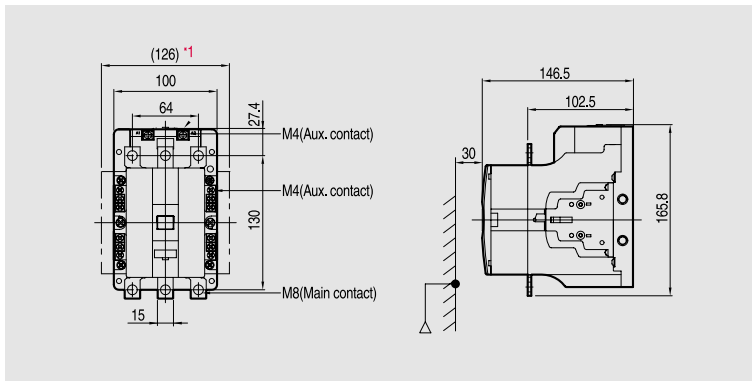


# 3-pole Contactors / AC coil

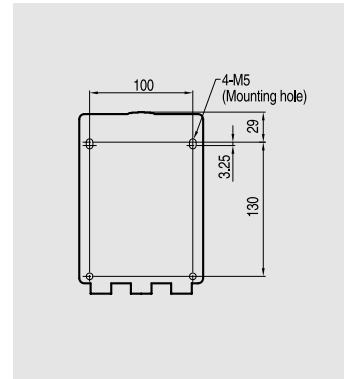
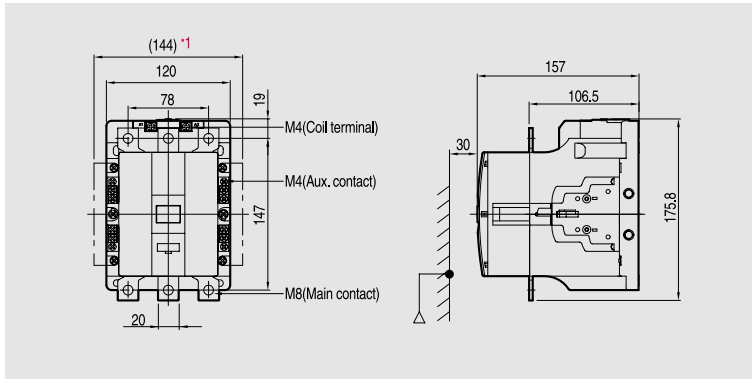


GMC-100  
GMC-125



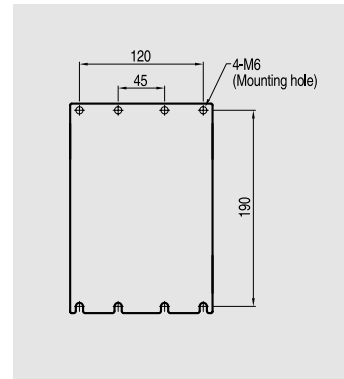
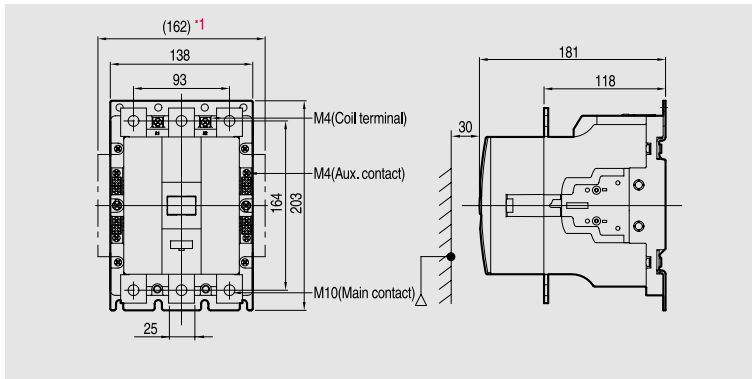
2.9kg

GMC-150



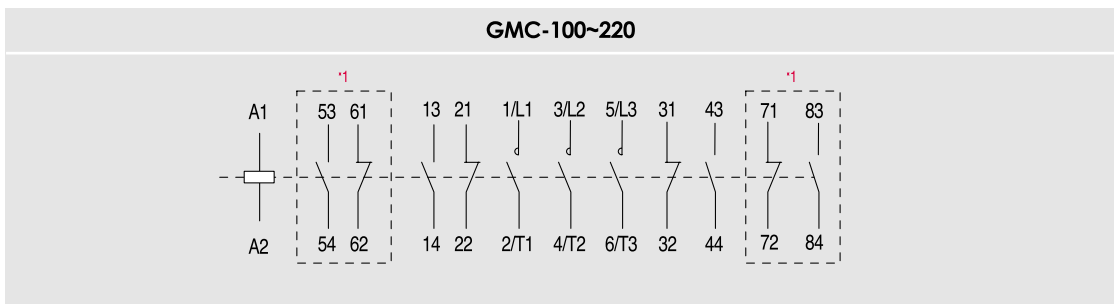
3.4kg

GMC-180  
GMC-220



5.4kg

## Circuit diagram



\* 1 : Optional Auxiliary Contact Unit (Side Mount Type)