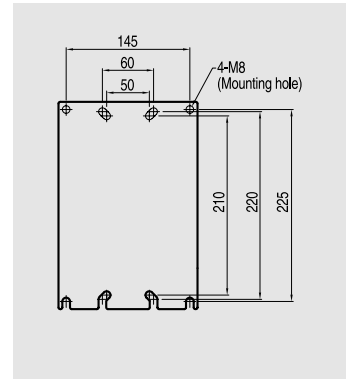
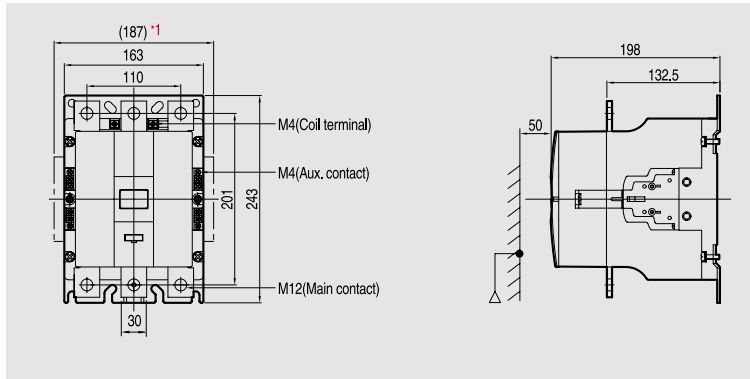


# Dimensions

## 3-pole Contactors / AC coil

GMC-300

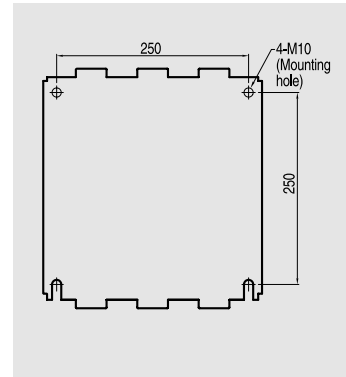
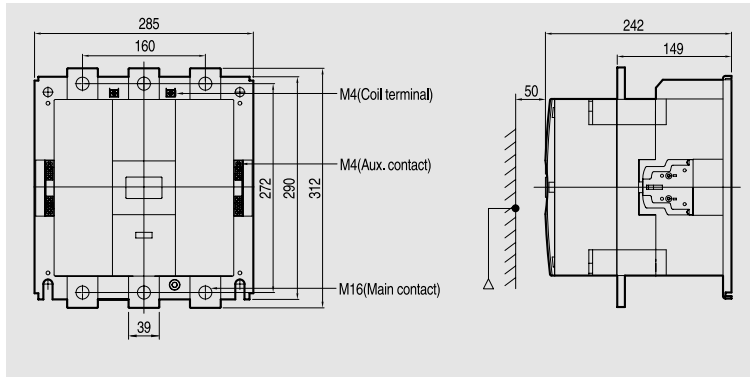
GMC-400



9.2kg

GMC-600

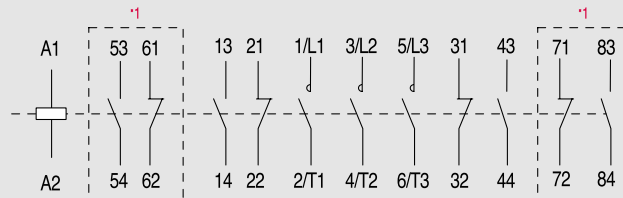
GMC-800



22.4kg

### Circuit diagram

#### GMC-300~800



\* 1 : 1Optional auxiliary contact unit (1 side mount type)