

# 3-pole Contactors

100A 125A 150A

## Description

- 3-pole main contact
- AC/DC common use coil built
- Wide coil operation voltage
- Screw mountable
- 2NO+2NC Auxiliary contacts built-in as standard
- Front/side mountable accessories available
- Direct mountable overload relays available



## 3-pole Contactors with AC/DC common coil

Frame size	AC3 ratings (IEC60947-4)				AC1 lth	Auxiliary contact (standard)	Type
	220 ~ 240V	380 ~ 440V	500 ~ 550V	690V			
100A	30kW	55kW	55kW	55kW	160A	2NO+2NC	GMC-100
	105A	105A	85A	65A			
125A	37kW	60kW	60kW	60kW	160A	2NO+2NC	GMC-125
	125A	120A	90A	70A			



Frame size	AC3 ratings (IEC60947-4)				AC1 lth	Auxiliary contact (standard)	Type
	220 ~ 240V	380 ~ 440V	500 ~ 550V	690V			
150A	45kW	75kW	90kW	90kW	210A	2NO+2NC	GMC-150
	150A	150A	140A	100A			

## Coil voltage, AC/DC common

Nominal(ordering) voltage	AC 50/60Hz	DC
24V	24 - 25V	24V
48V	48 - 50V	48V
100/200V	100 - 240V	100 - 220V
300V	265 - 347V	-
400V	380 - 450V	-
500V	440 - 575V	-

## Mounting and Connection

Mounting	100/125A frame		Holes for screw(M4) fixing
	150A frame		Holes for screw(M5) fixing
Connection	Main	100/125A frame	Screw(M8) terminal Cable capacity : 2~60mm <sup>2</sup>
		150A frame	Screw(M8) terminal Cable capacity : 2~100mm <sup>2</sup>
	Auxiliary / Coil		Screw(M4) clamp terminal

### Certificate

CE, ULcUL, Lloyd, CCC(China)

### Ordering information

Specify type and coil voltage

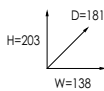
# 3-pole Contactors

180A 220A 300A 400A

## Description

- 3-pole main contact
- AC/DC common use coil built
- Wide coil operation voltage
- Screw mountable
- 2NO+2NC Auxiliary contacts built-in as standard
- Front/side mountable accessories available
- Direct mountable overload relays available

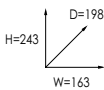
## 3-pole Contactors with AC/DC common coil



Frame size	AC3 ratings (IEC60947-4)				AC1 lth	Auxiliary contact (standard)	Type
	220 ~ 240V	380 ~ 440V	500 ~ 550V	690V			
180A	55kW	90kW	110kW	110kW	230A	2NO+2NC	GMC-180
	180A	180A	180A	120A			
220A	75kW	132kW	132kW	132kW	275A	2NO+2NC	GMC-220
	250A	250A	200A	150A			

## Coil voltage, AC/DC common

Nominal(ordering) voltage	AC 50/60Hz	DC
24V	24 - 25V	24V
48V	48 - 50V	48V
100/200V	100 - 240V	100 - 220V
300V	265 - 347V	-
400V	380 - 450V	-
500V	440 - 575V	-



Frame size	AC3 ratings (IEC60947-4)				AC1 lth	Auxiliary contact (standard)	Type
	220 ~ 240V	380 ~ 440V	500 ~ 550V	690V			
300A	90kW	160kW	160kW	200kW	350A	2NO+2NC	GMC-300
	300A	300A	250A	220A			
400A	125kW	220kW	225kW	250kW	450A	2NO+2NC	GMC-400
	400A	400A	350A	300A			

## Coil voltage, AC/DC common

Nominal(ordering) voltage	AC 50/60Hz	DC
100/200V	100 - 240V	100 - 220V
300V	265 - 347V	-
400V	380 - 450V	-
500V	440 - 575V	-

## Mounting and Connection

Mounting	180/220A frame		Holes for screw(M6) fixing
		300/400A frame	
Connection	Main	180/220A frame	Screw(M10) terminal Cable capacity : 2~150mm <sup>2</sup>
		300/400A frame	Screw(M12) terminal Cable capacity : 2~200mm <sup>2</sup>
	Auxiliary / Coil		Screw(M4) clamp terminal

### Certificate

CE, ULcUL, Lloyd, CCC(China)

### Ordering information

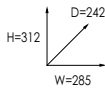
Specify type and coil voltage

# 3-pole Contactors

600A 800A

## Description

- 3-pole main contact
- AC/DC common use coil built
- Wide coil operation voltage
- Screw mountable
- 2NO+2NC Auxiliary contacts built-in as standard
- Front/side mountable accessories available



## 3-pole Contactors with AC/DC common coil

Frame size	AC3 ratings (IEC60947-4)				AC1 lth	Auxiliary contact (standard)	Type
	220 ~ 240V	380 ~ 440V	500 ~ 550V	690V			
600A	190kW 630A	330kW 630A	330kW 500A	330kW 420A	660A	2NO+2NC	GMC-600
800A	220kW 800A	440kW 800A	550kW 720A	500kW 630A	900A	2NO+2NC	GMC-800

## Coil voltage, AC/DC common

Nominal(ordering) voltage	AC 50/60Hz	DC
100V	100 - 127V	100 - 110V
200V	200 - 240V	200 - 220V
300V	265 - 347V	-
400V	380 - 450V	-
500V	440 - 575V	-

## Mounting and Connection

Mounting	600/800A frame	Holes for screw(M10) fixing
Connection	Main	Screw(M16) terminal
	Auxiliary / Coil	Cable capacity : 80~325mm <sup>2</sup>
		Screw(M4) clamp terminal

### Certificate

CE, ULcUL, Lloyd, CCC(China)

### Ordering information

Specify type and coil voltage

## Description

- Directly mountable to the contactors with brackets and connectors.  
GT-100 for GMC-100, 125 contactors (100, 125A frames)  
GT-150 for GMC-150 contactor (150A frame)
- 1NO+1NC trip contacts
- Trip class 10A
- Differential current/Phase failure protection : GTK types
- Non-differential GTH types are available for the economic solution
- Ambient compensated -5 to 40°C
- Manual/Automatic reset
- Trip free design
- Bimetallic style

### Catalog No. for 100A frame



GT-100

Setting ranges(A)	Differential type	Non-differential type	
	3-heater	3-heater	2-heater
34 - 50	GTK-100 · 41	GTH-100/3 · 41	GTH-100 · 41
39 - 57	GTK-100 · 48	GTH-100/3 · 48	GTH-100 · 48
43 - 65	GTK-100 · 56	GTH-100/3 · 56	GTH-100 · 56
54 - 80	GTK-100 · 67	GTH-100/3 · 67	GTH-100 · 67
65 - 100	GTK-100 · 80	GTH-100/3 · 80	GTH-100 · 80
85 - 125	GTK-100 · 107	GTH-100/3 · 107	GTH-100 · 107

### Catalog No. for 150A frame



GT-150

Setting ranges(A)	Differential type	Non-differential type	
	3-heater	3-heater	2-heater
34 - 50	GTK-150 · 41	GTH-150/3 · 41	GTH-150 · 41
39 - 57	GTK-150 · 48	GTH-150/3 · 48	GTH-150 · 48
43 - 65	GTK-150 · 56	GTH-150/3 · 56	GTH-150 · 56
54 - 80	GTK-150 · 67	GTH-150/3 · 67	GTH-150 · 67
65 - 150	GTK-150 · 80	GTH-150/3 · 80	GTH-150 · 80
85 - 125	GTK-150 · 107	GTH-150/3 · 107	GTH-150 · 107
100 - 150	GTK-150 · 130	GTH-150/3 · 130	GTH-150 · 130

### Connection

<b>Main (Load)</b>	Screw(M8) clamp terminal
	Cable capacity : 2~100mm <sup>2</sup>
<b>Auxiliary</b>	Screw(M4) clamp terminal

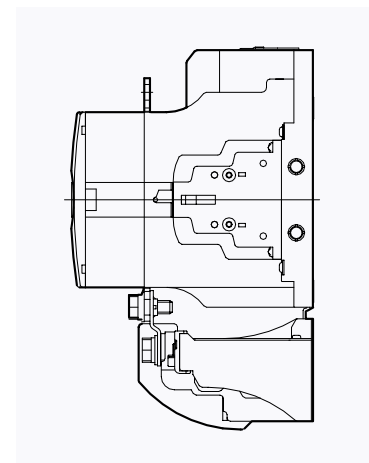
### Ordering information

Specify catalog number

### For more information

- Technical specification → page 123~158
- Drawings → page 176
- Contactors → page 34
- Starters → page 51
- Operating curves → page 154
- Terminal covers → page 117

### Direct mount to a contactor



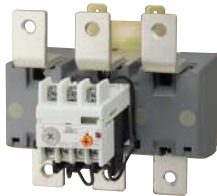
**Certificate**  
CE, ULcUL, Lloyd,  
CCC(China)

# Thermal overload relays, Class 10A

220A 400A

## Description

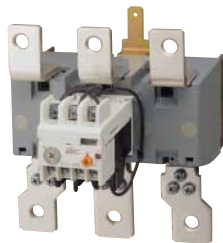
- Directly mountable to the contactors.
  - GT-220 for GMC-180, 220 contactors (180, 220A frames)
  - GT-400 for GMC-300, 400 contactors (300, 400A frames)
- 1NO+1NC trip contacts
- Trip class 10A
- Differential current/Phase failure protection : GTK types
- Non-differential GTH types are available for the economic solution
- Ambient compensated -5 to 40°C
- Manual/Automatic reset
- Trip free design
- Bimetallic style
- CT operated type



GT-220

### Catalog No. for 220A frame

Setting ranges(A)	Differential type	Non-differential type	
	3-heater	3-heater	2-heater
65 - 100	GTK-220 · 80	GTH-220/3 · 80	GTH-220 · 80
85 - 125	GTK-220 · 107	GTH-220/3 · 107	GTH-220 · 107
100 - 160	GTK-220 · 130	GTH-220/3 · 130	GTH-220 · 130
120 - 180	GTK-220 · 150	GTH-220/3 · 150	GTH-220 · 150
160 - 240	GTK-220 · 200	GTH-220/3 · 200	GTH-220 · 200



GT-400

### Catalog No. for 400A frame

Setting ranges(A)	Differential type	Non-differential type	
	3-heater	3-heater	2-heater
85 - 125	GTK-400 · 107	GTH-400/3 · 107	GTH-400 · 107
100 - 160	GTK-400 · 130	GTH-400/3 · 130	GTH-400 · 130
120 - 180	GTK-400 · 150	GTH-400/3 · 150	GTH-400 · 150
160 - 240	GTK-400 · 200	GTH-400/3 · 200	GTH-400 · 200
200 - 300	GTK-400 · 250	GTH-400/3 · 250	GTH-400 · 250
260 - 400	GTK-400 · 350	GTH-400/3 · 350	GTH-400 · 350

## Connection

Main (Load)	GT-220	Screw(M10) clamp terminal Cable capacity : 2~150mm <sup>2</sup>
	GT-400	Screw(M12) clamp terminal Cable capacity : 2~200mm <sup>2</sup>
Auxiliary		Screw(M3.5) clamp terminal

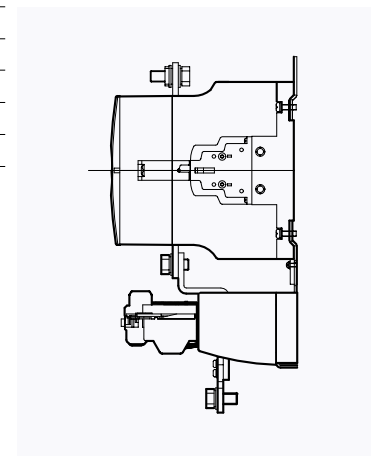
### Ordering information

Specify catalog number

### For more information

- Technical specification → page 123~158
- Drawings → page 177
- Contactors → page 36
- Starters → page 51
- Operating curves → page 154
- Terminal covers → page 117

## Direct mount to a contactor



### Certificate

CE, ULcUL, Lloyd,  
CCC(China)

## Description

- Directly mountable to the contactors.
- 1NO+1NC trip contacts
- Trip class 10A
- Differential current/Phase failure protection : GTK types
- Non-differential GTH types are available for the economic solution
- Ambient compensated -5 to 40°C
- Manual/Automatic reset
- Trip free design
- Bimetallic style
- CT operated type



GT-600

## Catalog No.

Setting ranges(A)	Differential type	Non-differential type	
	3-heater	3-heater	2-heater
200 - 300	GTK-600 · 250	GTH-600/3 · 250	GTH-600 · 250
260 - 400	GTK-600 · 350	GTH-600/3 · 350	GTH-600 · 350
400 - 600	GTK-600 · 500	GTH-600/3 · 500	GTH-600 · 500
520 - 800	GTK-600 · 660	GTH-600/3 · 660	GTH-600 · 660

## Connection

<b>Main</b>	Screw(M16) clamp terminal
<b>(Load)</b>	Cable capacity : 80~325mm <sup>2</sup>
<b>Auxiliary</b>	Screw(M3.5) clamp terminal

## Ordering information

Specify catalog number

### For more information

- Technical specification ➔ page 123~158
- Drawings ➔ page 177
- Contactors ➔ page 38
- Starters ➔ page 51
- Operating curves ➔ page 154
- Terminal covers ➔ page 117

### Certificate

CE, ULcUL, Lloyd,  
CCC(China)

## Direct mount to a contactor

