



COMPLIES WITH REQUIREMENTS OF

• IEC STANDARDS 947-4-1 AND 947-5-1 LOW VOLTAGE DIRECTIVE



• IEC = INTERNATIONAL ELECTROTECHNICAL COMMISSION

• TESTING AND EVALUATION PERFORMED BY THE UNDERWRITERS LABORATORIES AS A THIRD PARTY PARTICIPANT

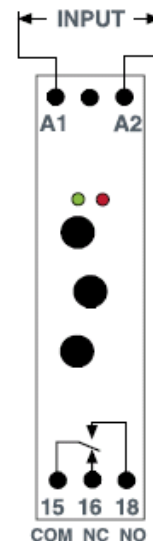
831 Voltage Sensing Relay

SPDT, 15 AMPS

Features - Benefits

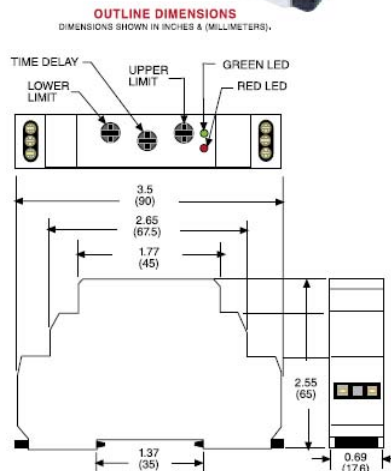
- Independent Upper and Lower Limits**-Sense over voltage, under voltage, or both
- Time Delay**-Avoid Nuisance Tripping
- Two Status LEDs**-Indicates status at a glance.
- DIN Module**-Clip directly to 35 mm DIN rail

WIRING DIAGRAM



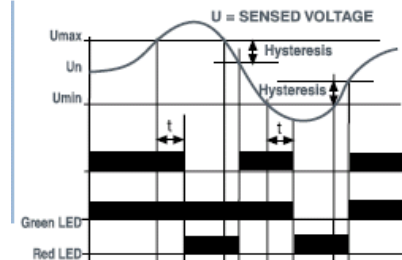
GENERAL SPECIFICATIONS (@ 25°C)

	UNITS	831VS-120A
INPUT/SENSING		
Standard Voltage Nominal:	VAC 50/60 Hz	120
Input Voltage Absolute Maximum:	VAC 50/60 Hz	200
Upper Input Voltage Range:	VAC 50/60 Hz	80 to 150
Lower Input Voltage Range:	%	30 to 99
		of upper limit voltage
Power Consumption:	maximum	1.2 VA
Transient Protection:		Yes
Reverse Polarity Protection:		Not Applicable
Operate Time:	mS maximum	25
Release Time:	mS maximum	20
Input Indication:		Green LED
TIMING		
Time Scales:		1
Time Range:		0 to 10 second
Setting Adjustment:		Recessed potentiometer
Timing Deviation (mechanical setting):	%	5
Timing Repeatability		
(Constant voltage and temperature):	%	<1
Reset Time:	mS maximum	150
OUTPUT		
Contact Rating AC Amperes (AC1):	VAC 50/60Hz	15 amps resistive @ 120,240
Contact Rating DC Amperes (DC1):	VDC	15 amps resistive @ 24
Contact Rating Pilot Duty:	mW	500
Contact Material:		Silver-Nickel 90/10
Output Indication:		Red: LED: Blinks = timing On = energized
DIELECTRIC STRENGTH		
Across Open Contacts:	V rms	1,000
Input to Contacts:	V rms	2,500
Pole to Pole:		Not applicable
TEMPERATURE		
Operating, Lower:	°C	-20
Operating, Upper:	°C	+55
Storage, Lower:	°C	-30
Storage, Upper:	°C	+70
LIFE EXPECTANCY		
Electrical Full Load	operations	70,000
Mechanical @ no Load :	operations	10,000,000
MISCELLANEOUS		
Operating Position:		Any
Maximum Wire Size		2.5 mm (UL-14 gauge)
Cover Protection Category:	IP	40
Pollution Degree:		2
Terminals:	Inch	Captive screws
Weight:	grams	60



TYPE 831 IS A SINGLE PHASE AC VOLTAGE SENSOR CAPABLE OF MONITORING AND REACTING TO OVER AND UNDER VOLTAGE CONDITIONS WITHOUT NUISANCE TRIPPING

Standard Part Number
831V8-120A



International Headquarters: 707 Dayton Road PO Box 1040 Ottawa, IL 61350 USA
815-433-5100 Fax 433-5104 www.bb-elec.com orders@bb-elec.com support@bb-elec.com

European Headquarters: Westlink Commercial Park Oranmore Co. Galway Ireland
+353 91 792444 Fax +353 91 792445 www.bb-europe.com orders@bb-europe.com support@bb-europe.com