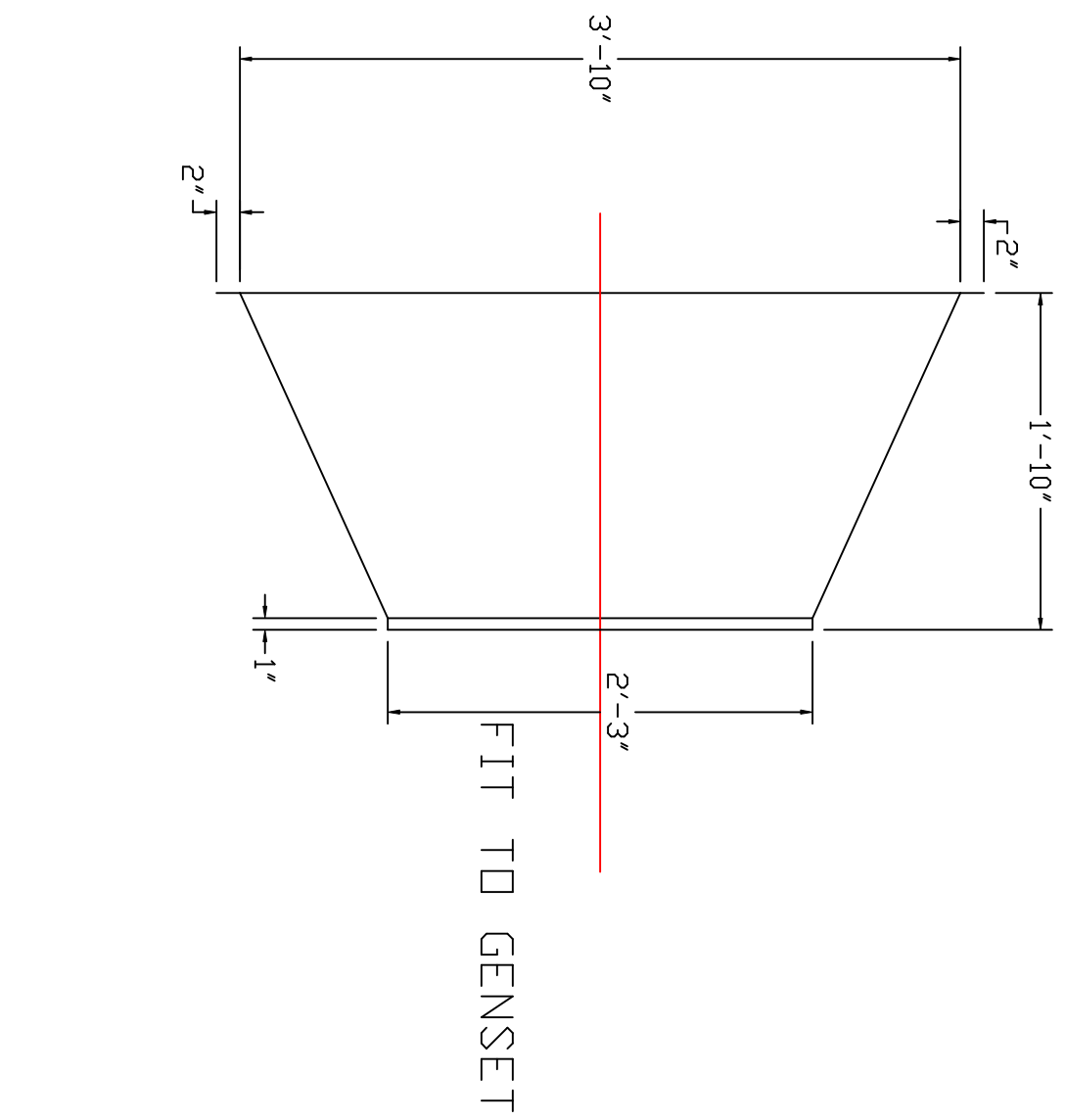
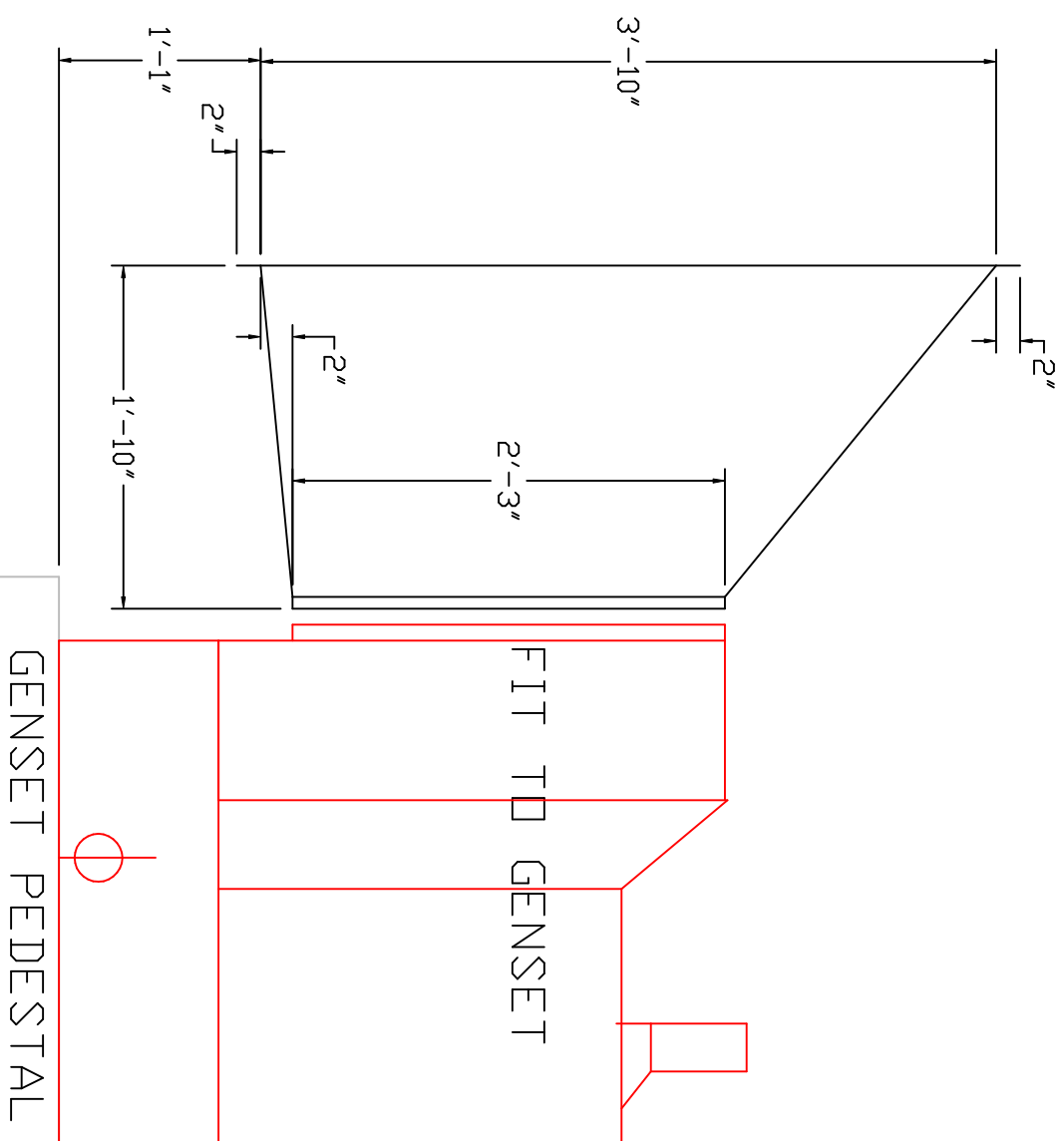


AIR EXHAUST DUCT
JD CKEP45T280-85D



TOP



SIDE

GENSET PEDESTAL

BEND HOOD FOR 46" SQUARE EXHAUST OPENING
LOWER EDGE 13" ABOVE BOTTOM OF GENSET

SCALE 1"=1'

AIR EXHAUST DUCT (X2)

PAPER SIZE
11x17, A3, ARCH B
DRAWING WINDOW/
13.25x10"/636x480

No.	Revision/Issue	Date

Firm Name and Address
JEFF KENNEL
ALAN SHEA

Project Name and Address
METATEKDRG
POWER HOUSE
CONSTRUCTION DRAWINGS

Project	Sheet
Date 12/11	P33
Scale 1"=12'	