

AIR EXHAUST DUCT
JD CKEP45T280-85D

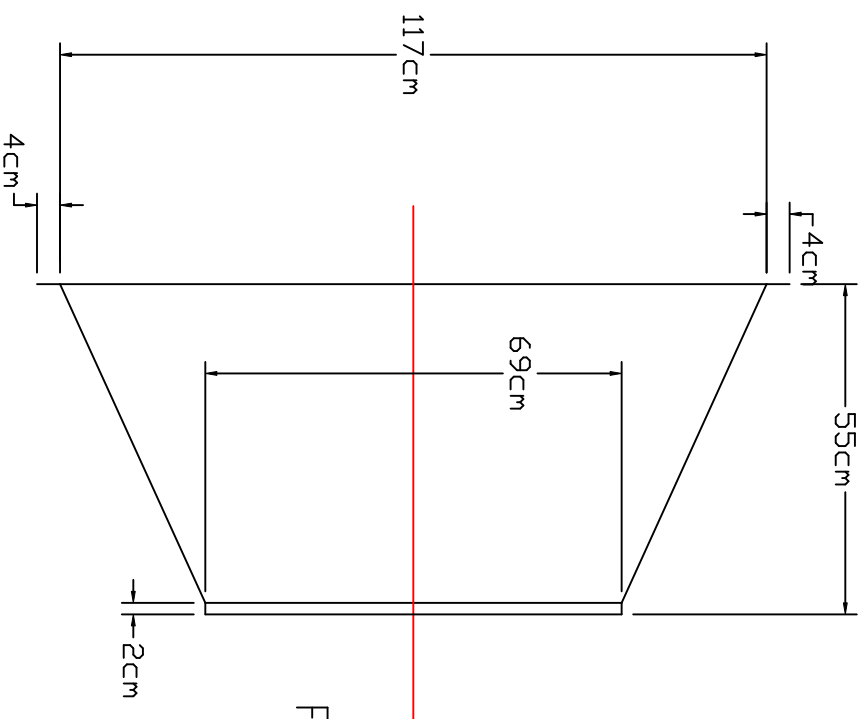
PAPER SIZE
11x17, A3, ARCH B
DRAWING WINDOW/
13.25x10"/636x480

No.	Revision/Issue	Date

Firm Name and Address
JEFF KENNEL
ALAN SHEA

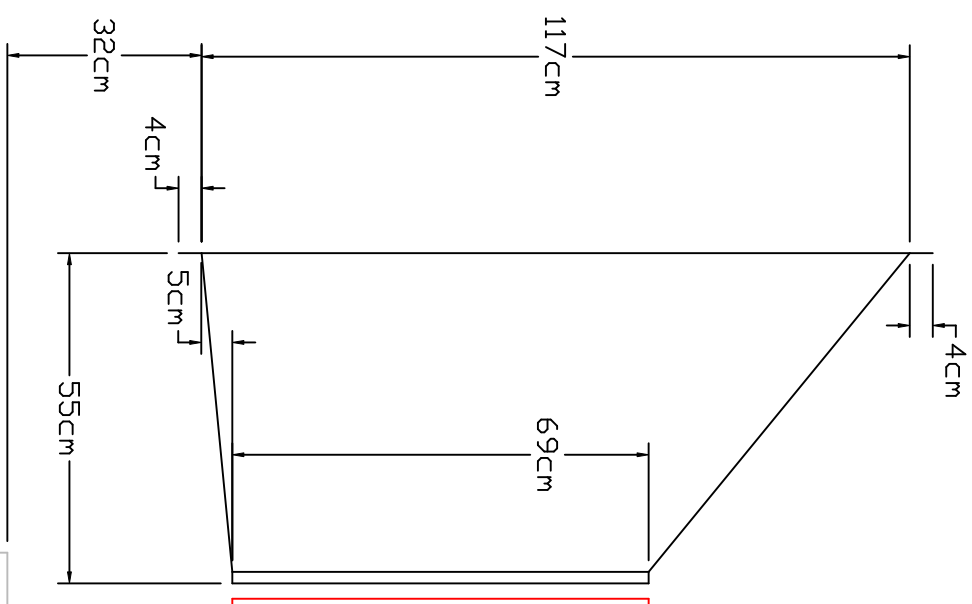
Project Name and Address
METATEK
POWER HOUSE
CONSTRUCTION DRAWINGS

Project	Sheet
Date 11/12	P33
Scale 1mm=12.5mm	



FIT TO GENSET

TOP

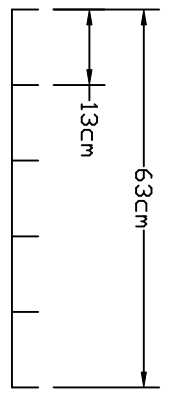


FIT TO GENSET

SIDE

GENSET PEDESTAL

BEND HOOD FOR 117cm SQUARE EXHAUST OPENING
LOWER EDGE 32cm ABOVE BOTTOM OF GENSET



SCALE 1cm = 12.5cm

AIR EXHAUST DUCT (X2)