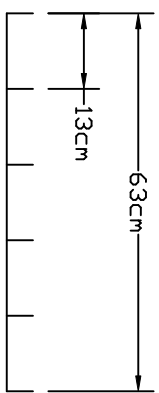


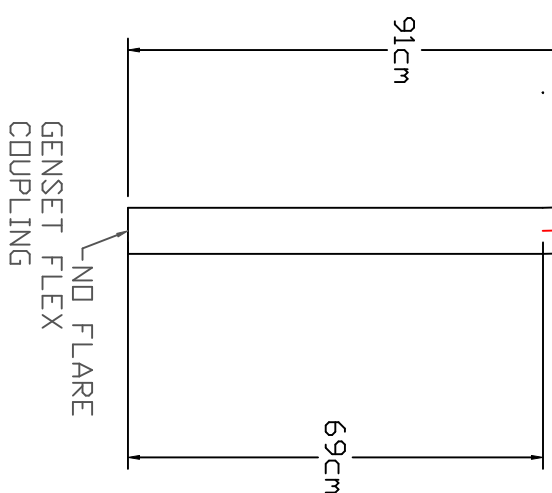
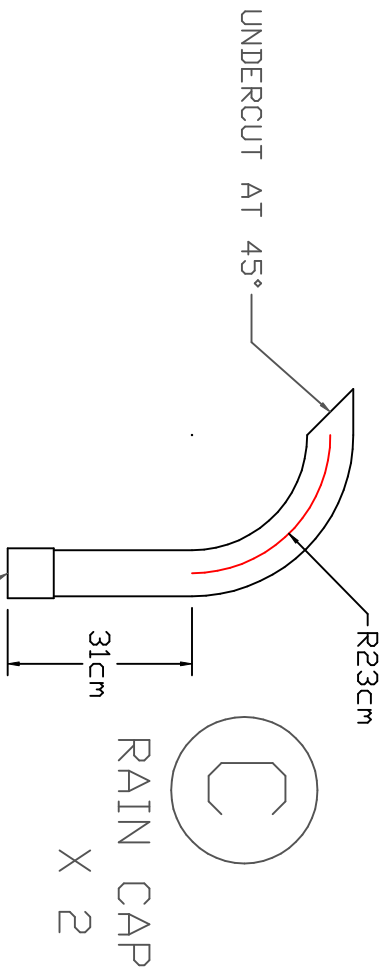
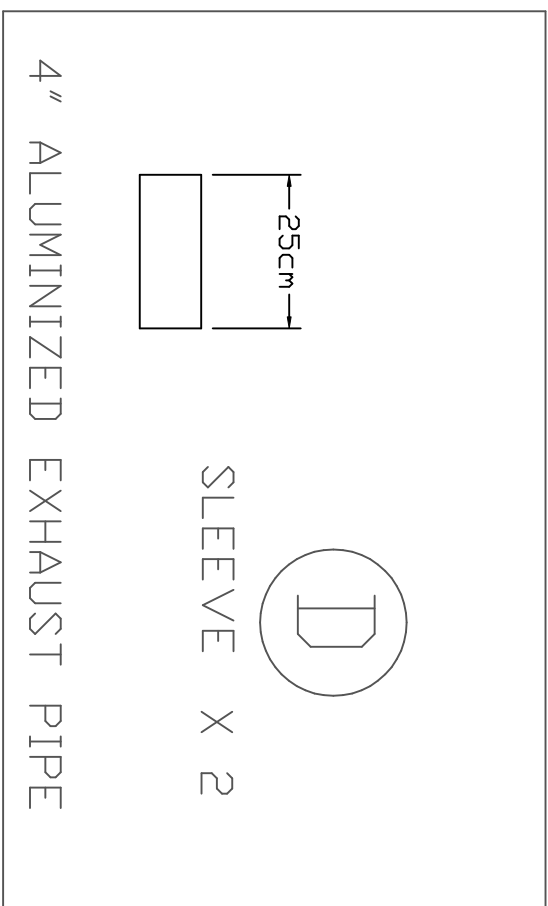
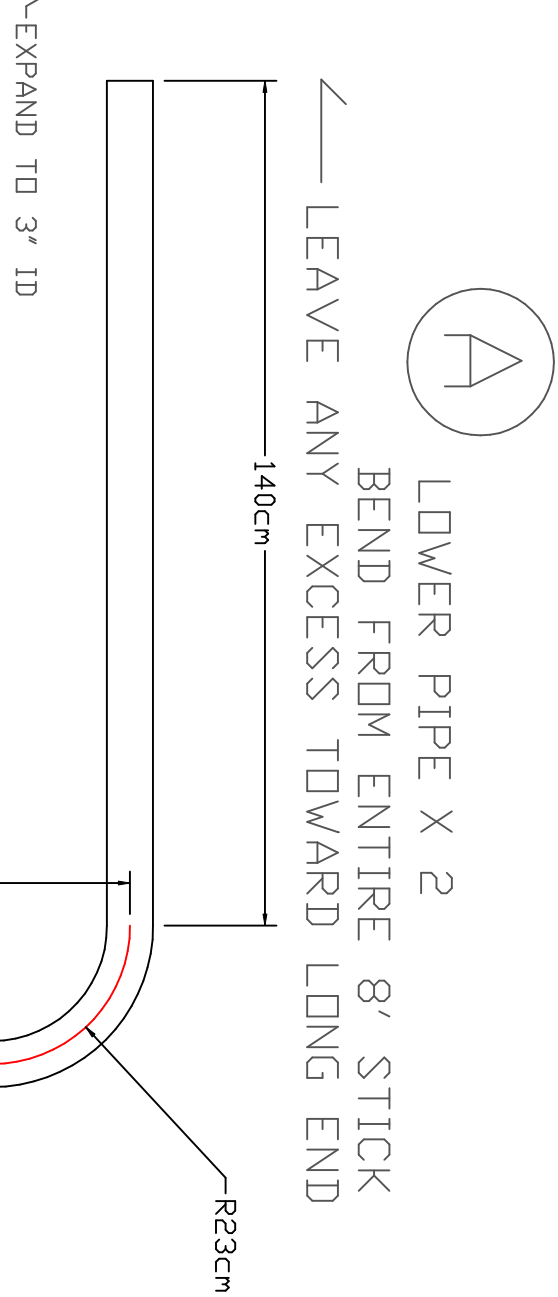
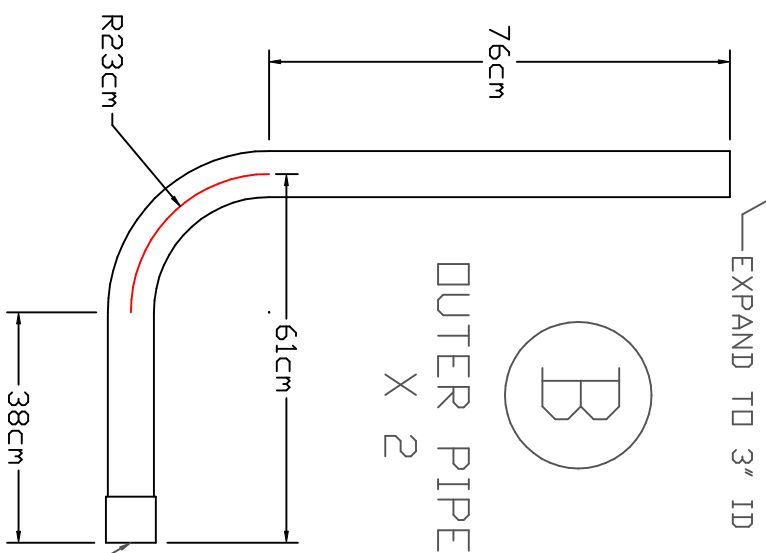
EXHAUST PIPE DETAILS

SCALE 1cm = 12.5cm



BEND RADIUS NOT CRITICAL

BEND PARTS FROM 3" ALUMINIZED EXHAUST PIPE



General Notes

EXHAUST STACK DETAILS

PAPER SIZE 11x17, A3, ARCH B
DRAWING WINDOW/ 13.25x10"/636x480

No.	Revision/Issue	Date

Firm Name and Address
 JEFF KENNEL
 ALAN SHEA

Project Name and Address
 METATEK
 POWER HOUSE
 CONSTRUCTION DRAWINGS

Project	Sheet
Date 11/12	P34
Scale 1mm=12.5mm	