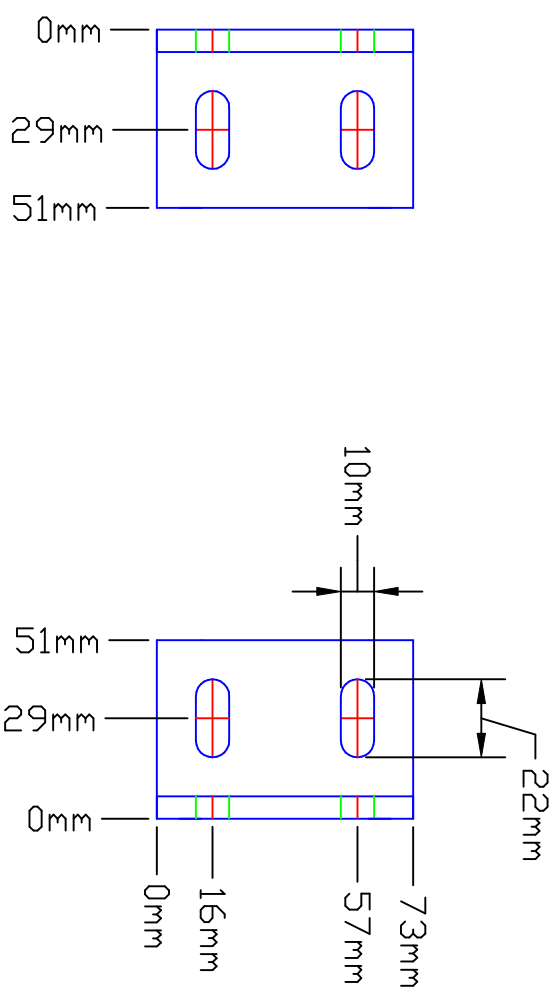


PART A: PIPE BRACKET
13mm STEEL PLATE

(x2)

IDENTICAL BOTH SIDES



PART B: ADJUST ANGLE
51mm x 51mm x 13mm STEEL ANGLE

(x2)

REVISIONS				TOLERANCE		WORK ORDER NO.	
NUMBER	DESCRIPTION	DATE	APPROVED	+ / - 0.01"		METATEK	

FOR:	By:
	MM Industries

DESCRIPTION		SCALE:	DATE:	SHEET	REV
POWER HOUSE FUEL PIPING GENSET BRACKET			11-03-11	1 OF 1	1
SIZE	FSCM NO.	DWG NO.			
		P43			