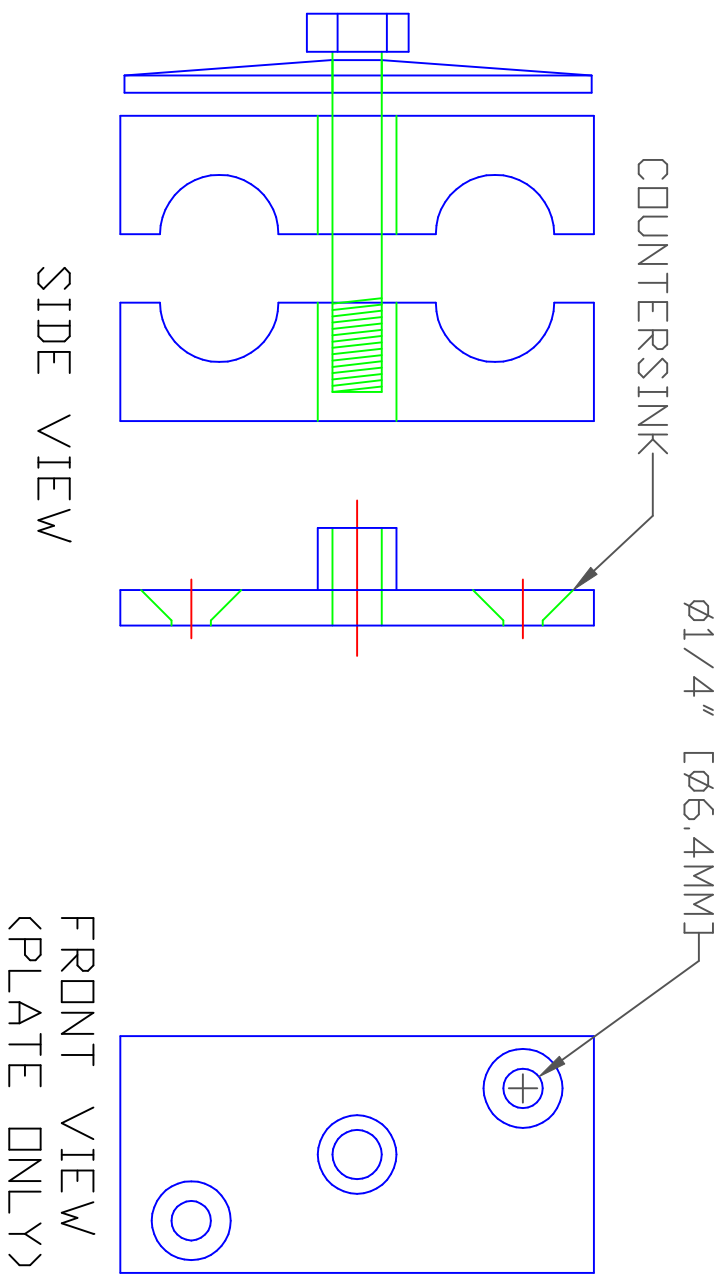


DRILL 2 HOLES DIAGONAL, POSITION NOT
 CRITICAL, COUNTERSINK FOR 1/4" CS
 HEAD TAPCON



PN# GE37 (SURPLUS CENTER PN 9-A3-20-D)
 MODIFY PIPE MOUNTING BLOCK BACKPLATE AS SHOWN

FUEL PIPE MOUNTING BLOCK

General Notes

FUEL PIPE MOUNTING
 MODIFICATION

PAPER SIZE
 11x17, A3, ARCH B
 DRAWING WINDOW/
 13.25x10"/636x480

No.	Revision/Issue	Date

Firm Name and Address
 JEFF KENNELL
 ALAN SHEA

Project Name and Address
 METATEKDRG
 POWER HOUSE
 CONSTRUCTION DRAWINGS

Project	Sheet
Date 12/11	P 44
Scale	